



AK8815/16

NTSC/PAL Digital Video Encoder

GENERAL DESCRIPTION

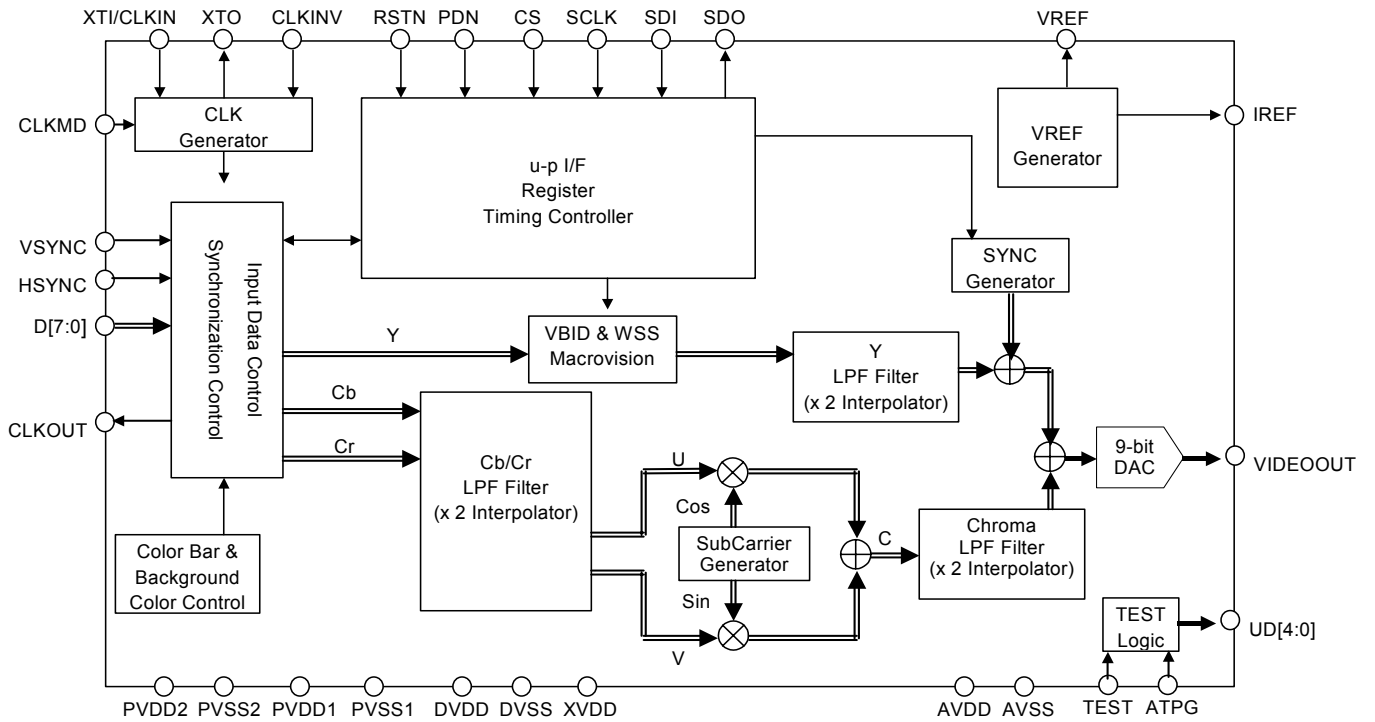
The AK8815/16 is a digital video encoder which is developed for portable apparatus applications such as cellular phone etc.. ITU-R BT.601 level compatible Y, Cb, and Cr signals which correspond to square pixel are encoded into either NTSC or PAL compatible composite video signal. Interface is made in HSYNC-, VSYNC- synchronized slave-mode operation. It is controlled via a 4-wire serial interface.

FEATURES

- NTSC-M, PAL-B, D, G, H, I encoding
- Composite Video Output
- Y:Cb:Cr 4:2:2 Square Pixel Data Input
- H/V Slave Operation
- Y filtering: 2 x over-sampling
- C filtering: 4 x over-sampling
- 9-bit DAC
- Macrovision Copy Protection Rev. 7.1 * (only AK8815)
- VBID (CGMS-A) Compatible
- WSS Compatible
- On-chip Quartz Crystal Oscillator circuit
- Clock: Square Pixel data rate 24.5454 MHz (NTSC), 29.50 MHz (PAL)
- Device Control I / F : 4- wire Serial Bus Interface
- On-chip Color Bar Output
- Black Burst Output
- Internal Operating Voltage: 2.7 V ~ 3.3 V
- supplying Interface Power Supply (1.6 V ~ 2.0 V or 2.7 V ~ 3.3 V)
- Power-down function
- Monolithic CMOS
- 57 pin FBGA (5 mm sq) (lead-free package)

(*Note) This device is protected by U.S. patent numbers 4,631,603, 4,577,216, and 4,819,098, and other intellectual rights. The use of Macrovision's copy protection technology in the device must be authorized by Macrovision and is intended for home and other limited pay-per-view use only, unless otherwise authorized in written by Macrovision. Reverse engineering or disassembly is prohibited.

BLOCK DIAGRAM

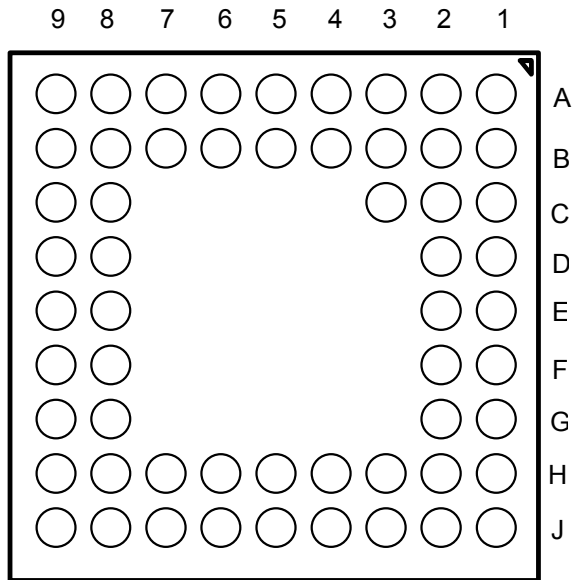


ORDERING GUIDE

AK8815/16VG 57 pin FBGA

PIN LAYOUT

57pin FBGA



Bottom View

PIN FUNCTIONAL DESCRIPTION (preliminary)

No.	Pin Name	I/O	Function
A7	XTI/CLKIN	I	Quartz crystal resonator connection pin (to be grounded via a 18 pF capacitor as shown in the recommended circuit). NTSC: 24.5454 MHz / PAL: 29.50 MHz Hi-Z input is acceptable to this pin at PDN = L. Input from an external crystal oscillator should be connected to this pin.
B6	XTO	O	Quartz crystal resonator connection pin (to be grounded via a 22 pF capacitor as shown in the recommended circuit). NTSC: 25.5454 MHz / PAL: 29.50 MHz DVSS level is output on this pin at PDN = L.
B5	CLKMD	I	Clock Mode setting pin. Should be connected to either DVDD or DGND. GND connection: when a crystal resonator is used XVDD connection: when an external crystal oscillator is used
B9	CLKOUT	O	Clock output pin. NTSC: 24.5454 MHz / PAL: 29.50 MHz This becomes Hi-Z output at PDN=L.
B7	CLKINV	I	“L “ : data is latched with rising edge. “H” : data is latched with falling edge. Internal clock is inverted (internal operation timing edge is inverted. CLKOUT is not affected). Connect to either DVDD or DGND.
J6	PDN	I	Power Down Pin. After returning from PD mode to normal operation, RESET Sequence should be done to AK8815/16. “L “(GND level): Power-down “H “: normal operation
J5	RSTN	I	Reset input pin. In order to initialize the device , an initialization must be made in accordance with the reset sequence. “L “ : reset “H “ : reset Hi-Z input is acceptable to this pin at PDN = L.
J4	SCLK	I	Serial Data clock input pin. 15 MHz (max) Hi-Z input is acceptable to this pin at PDN = L.
H4	SDI	I	Serial Data input pin. Hi-Z input is acceptable to this pin at PDN = L.
H3	SDO	O	Serial Data output pin. This becomes high output at PDN = L. This pin interfaces one-to-one with a controller through a dedicated pin.
H5	CS	I	Serial Data Chip Enable signal input pin. This pin interfaces one-to-one with a controller through a dedicated pin. L : disabled condition (un-selected) H : enabled condition (selected) Hi-Z input is acceptable to this pin at PDN = L.
H8	D7	I	Data Video Signal input pin (MSB). Hi-Z input is acceptable to this pin at PDN = L.
G8	D6	I	Data Video Signal input pin. Hi-Z input is acceptable to this pin at PDN = L.
H9	D5	I	Data Video Signal input pin. Hi-Z input is acceptable to this pin at PDN = L.
G9	D4	I	Data Video Signal input pin. Hi-Z input is acceptable to this pin at PDN = L.
F8	D3	I	Data Video Signal input pin. Hi-Z input is acceptable to this pin at PDN = L.
E8	D2	I	Data Video Signal input pin. Hi-Z input is acceptable to this pin at PDN = L.
D8	D1	I	Data Video Signal input pin. Hi-Z input is acceptable to this pin at PDN = L.
D9	D0	I	Data Video Signal input pin (LSB). Hi-Z input is acceptable to this pin at PDN = L.
J7	HSYNC	I	Horizontal SYNC signal input pin. Hi-Z input is acceptable to this pin at PDN = L.
H7	VSYNC	I	Vertical SYNC signal input pin. Hi-Z input is acceptable to this pin at PDN = L.
B3	VREF	O	On-chip VREF output pin. AVSS level is output on this pin at PDN = L. Connect this pin to Analog Ground via a 0.1 uF or larger capacitor.

A2	IREF	O	IREF output pin. Connect this pin to Analog ground via a 12 Kohm resistor (better than +/- 1% accuracy).
C1	VIDEOOUT	O	Video output pin. Connect this pin to Analog ground via a 390 ohm resistor resistor (better than +/- 1% accuracy).
C2	AVDD	P	Analog power supply pin.
A5	XVDD	P	Power supply pin for crystal (for XTAL).
B2	AVDD	P	Analog power supply pin.
B1	AVSS	G	Analog ground pin.
D1	DVSS	G	Digital ground pin.
A6	DVSS	G	Crystal ground connection pin (set DVSS [0 V]).
A3	AVSS	G	Analog ground pin.
F1	DVDD	P	Digital power supply (digital core power supply)
F9	DVDD	P	Digital power supply (digital core power supply)
E2	DVSS	G	Digital ground pin (digital core ground)
E9	DVSS	G	Digital ground pin (digital core ground)
C8	PVDD1	P	Power supply pin for chip pad. I / F power supply for CLKOUT, D[7:0], HSYNC, VSYNC
C9	PVSS1	G	Ground pin for PVDD1
J3	PVDD2	P	Power supply pin for chip pad. I / F power supply for PDN, RSTN, SDO, SDI, CS, SCLK.
H2	PVSS2	G	Ground pin for PVDD2
A4	AVSS	G	Ground pin for the substrate biasing Connect to Analog Ground.
B8	TEST	I	For normal operation, connect to ground.
A8	ATPG	I	For normal operation, connect to ground.
H1	DVDD	P	Digital power supply
J2	UD4	O	Test output pin. For normal operation, left un-connected (NC).
G1	UD3	O	Test output pin. For normal operation, left un-connected (NC).
G2	UD2	O	Test output pin. For normal operation, left un-connected (NC).
E1	UD1	I/O	Test I/O pin. For normal operation, left un-connected (NC).
D2	UD0	I/O	Test I/O pin. For normal operation, left un-connected (NC).
A1	NC	-	NC pin.
A9	NC	-	NC pin.
J1	NC	-	NC pin.
J9	NC	-	NC pin.
B4	NC	-	NC pin
H6	NC	-	NC pin.
J8	NC	-	NC pin.
F2	NC	-	NC pin.
C3	N.C.	-	Index pin

ELECTRICAL CHARACTERISTICS

(1) Absolute Maximum Ratings

Parameter	Min	Max	Units
Supply voltage (VDD) (Note1) DVDD, XVDD, AVDD, PVDD1, PVDD2	-0.3	4.6	V
Input pin voltage (Vin)	-0.3	VDD+0.3	V
Input pin current (Iin) (Note2)	-	+/- 10	mA
Storage temperature	-40	+125	°C

(Note1)

When each ground pin (DVSS, AVSS, PVSS1, PVSS2) is at 0 V (voltage reference).
In this specification, PVDD1 and PVDD2 are expressed as PVDD (as a general comment) hereafter.
Similarly, DVDD, XVDD are expressed as DVCC, and AVDD and AVDD as AVDD.
Each ground pin is always kept to the same reference voltage, 0 V with no potential difference.

(Note2)

Exclude Power supply pin.

(2) Recommended Operating Conditions

Parameter	Min	Typ.	Max	Units
Power supply (DVDD = AVDD) (Note1)	2.7	3.0	3.3	V
Interface power supply (Note2) (PVDD = DVCC) at 3.0 V I/F	2.7	3.0	3.3	V
Interface power supply (PVDD1, 2) at 1.8 V I/F	1.6	1.8	2.0	V
Operating temperature (Ta)	-20	25	85	°C

Note 1) excluding interface power supply. 1.8 V power supply can be supplied only to the interface part.
Note 2) interface power supplies PVDD1, PVDD2 can be used as 3 V or 1.8 V power supply interface each.

But when the 1.8 V interface is not selected, same potential as DVCC is used as interface power supply.
(Example PVDD1 = 1.8 V, PVDD2 = DVDD = 3 V)

Note 3) as described at the note in item (1) above, PVDD1 and PVDD2 are expressed as PVDD in this table. Similarly, DVDD and XVDD are expressed as DVCC, and AVDD and AVDD as AVDD.

(3) DC Characteristics

[Operating voltages : DVDD 2.7 V ~ 3.3V / PVDD 2.7 V ~ 3.3 V / PVDD 1.6 V ~ 2.0 V, Temperature : -20 ~ 85°C]

Parameter	Symbol	Min	Typ	Max	Units	Conditions
Digital input H voltage	VIH1	0.7PVDD			V	PVDD = 3.0V
	VIH2	0.8PVDD				PVDD = 1.8V
Digital input L voltage	VIL1			0.3PVDD	V	PVDD = 3.0V
	VIL2			0.2PVDD		PVDD = 1.8V
Digital input leakage current	IL			+/- 10	uA	
Digital output H voltage (excluding XTO)	VOH1	2.2			V	IOH= 1mA I/O 3.0V
	VOH2	1.3				IOH= 600uA I/O 1.8V
Digital output L voltage (excluding XTO)	VOL1			0.4	V	IOL= 2mA I/O 3.0V
	VOL2			0.4		IOL= 1mA I/O 1.8V

(4) Analog Characteristics

[Operating voltage : AVDD = DVCC=2.7 - 3.3 V, Temperature: -20 - 85°C]

Parameter	Min	Typ	Max	Units	Conditions
Resolution		9		bit	
Integral non-linearity (error)		+/- 0.6	+/- 2.0	LSB	
Differential non-linearity (error)		+/- 0.4	+/- 1.0	LSB	
Output full scale voltage	1.21	1.28	1.35	V	Note1)
Output offset voltage			5.0	mV	Note2)
On-chip reference voltage	1.17	1.23	1.30	V	
Reference voltage drift		-50		ppm/°C	

Note1) values are when a 390 ohm output load, a 12 Kohm IREF pin resistor and on-chip VREF are used. Full scale output current is calculated as $I_{out} = \text{full scale output voltage (typ. 1.28 V)} / 390 \text{ ohm} = \text{typ. 3.28 mA}$.

Note2) A voltage referenced to VSS when a decimal zero voltage is input to DAC.

(5) Power Consumption

[Operating voltage : AVDD = DVCC=2.7 - 3.3 V, Temperature: -20 - 85°C]

Parameter	Min	Typ	Max	Units	Conditions
Total power consumption		24	36	mA	Note3)
Power-down current 1		10	100	uA	Note4)
Power-down current 2		1	10	uA	Note5)
XTAL part current		2.0	3.3	mA	Note6)
Analog part operating current 1		6.5		mA	Note7)
Analog part operating current 2		1.6		μA	Note8)

Note3) NTSC mode on-chip color bar output is enabled and DAC is " on " (no external output loads are connected , other than those recommended, connecting-components).

Note4) measuring conditions :

input / output settings after power-down sequence are, PDN pin is at GND level, CLKOUT and SDO output are at high level (power supply voltage) with no external connection, input voltage on those input pins is 1/2 level of power supply which are set to accept Hi-Z input at power-down, and TEST = ATPG = GND (or left open).

Power supplies are AVDD = DVCC = PVDD.

Each ground pin (DVSS, AVSS1, AVSS2, PVSS1, PVSS2) is always 0 V (voltage reference).

Note5) measuring conditions :

set AVDD = DVCC = 0 V (potential difference with voltage reference ground is 0 V) in power-down current 1 condition. Set those input pins to GND level which are set to accept Hi-Z input at power-down.

Power-down current 2 is PVDD power supply current at PVDD = 1.6 V ~ 1.8 V or 2.7 V ~ 3.3 V.

Note6) at RSTN = H, PDN = H

Note7) when DAC output is " ON ".

Note8) when DAC output is " OFF ".

(6) Crystal Oscillator Circuit Part

Crystal resonator and externally connecting load capacitance

Parameter	Symbol	Min	Typ	Max	Units	Conditions
Oscillating frequency	f0		24.5454 29.5000		[MHz]	
frequency accuracy	$\Delta f/f$			+/-50	[ppm]	
load capacitance	CL		15		[pF]	
effective equivalent resistance	Re			100	[Ω]	Note1)
parallel capacitance	CO			0.85	[pF]	
externally connecting load capacitance on XTLI pin	CXI		18		[pF]	
externally connecting load capacitance on XTLO pin	CXO		22		[pF]	

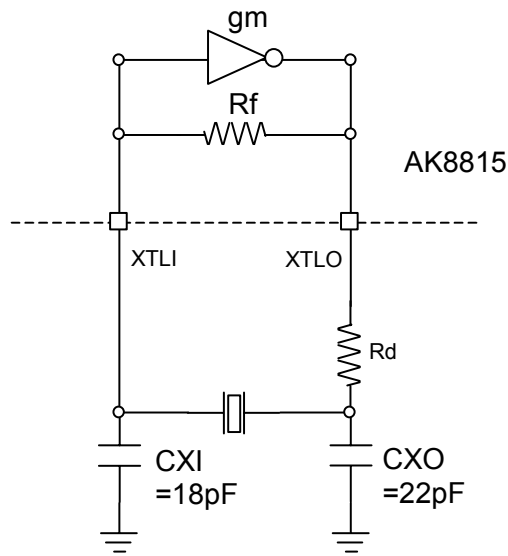
Note 1) effective equivalent resistance is generally given as

$$R_e = R_1 \times (1 + C_0 / C_L) \text{ square}$$

Where R1 : equivalent series resistance of crystal resonator

C0 : parallel capacitance of crystal resonator

Circuit connection example



rd: Please refer the X'tal specification

AC TIMING

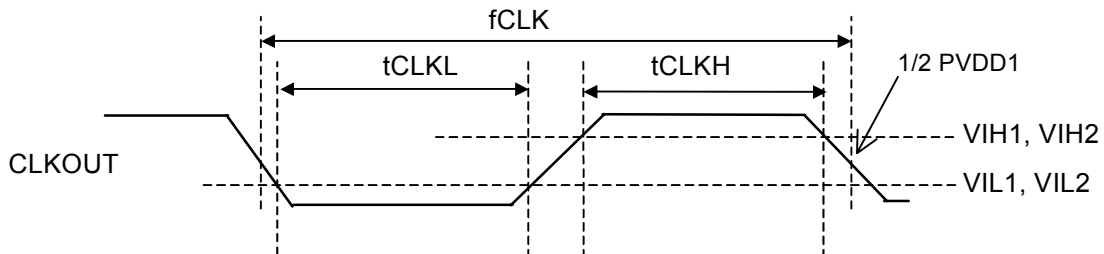
(PVDD = 2.7 V ~ 3.3 V / PVDD = 1.6 V ~ 2.0 V, Temperature : -20 ~ 85°C)

loading condition : CL = 30 pF (at 3.0 V I/F)

CL = 15 pF (at 1.8 V I/F)

(1) CLK

(1-1) CLKMD = DVSS : when a crystal resonator is connected (+/- 50 ppm)

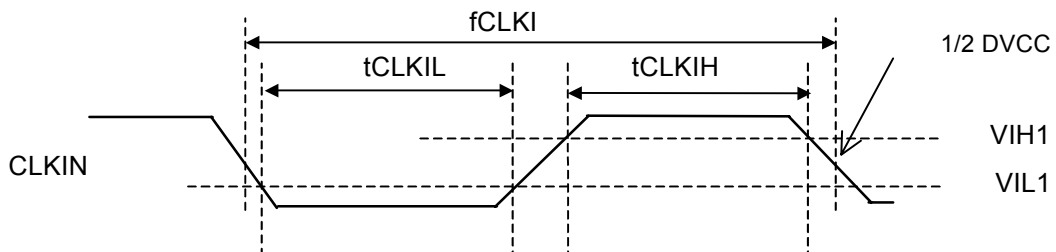


Parameter	Symbol	Min.	Typ.	Max	Unit	Conditions
CLKOUT	fCLKO		24.5454		MHz	NTSC
			29.500			PAL

tCLKIL, tCLKIH : minimum pulse width 10 nS guaranteed by design

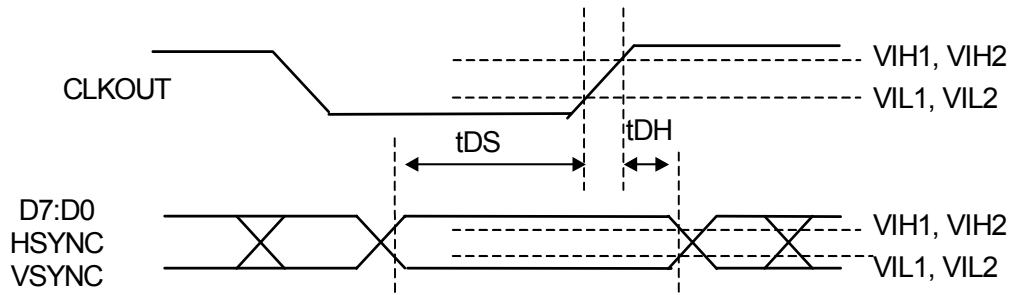
External input clock AC timing (DVCC = 2.7 V ~ 3.3 V : -20 ~ 85 °C)

(1-2) CLKMMD = XVDD : when an external clock source is input (+/- 50 ppm)



Parameter	Symbol	Min.	Typ.	Max	Unit	Conditions
CLKIN	fCLKI		24.5454		MHz	NTSC
			29.50			PAL
CLKIN Duty	pCLKID	40		60	%	

tCLKIL, tCLKIH : minimum pulse width 12 nS (tr / tf = < 2 nS at 10 % - 90 % level of power supply)



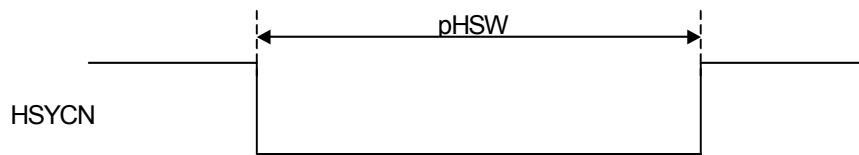
CLKINV = Low, -20 ~ 85 °C (loading condition : CL = 30 pF at 3 V I/F / 15 pF at 1.8 V I/F)

Parameter	Symbol	Min.	Typ.	Max	Unit	Conditions
Data Setup Time	tDS	8			nsec	
Data Hold Time	tDH	5			nsec	

above values are specified at the AK8815/16 device pin terminal and do not include interconnection delays of pc board etc..

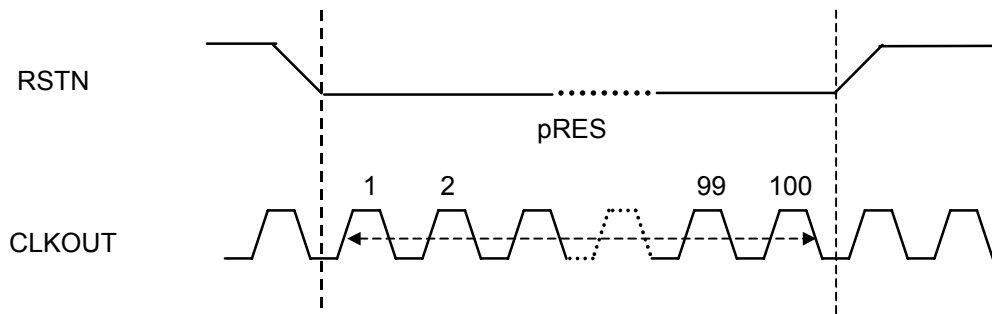
When CLKINV = High, similar tDS and tDH are specified at the falling edge of CLKOUT.

(3) HSYNC pulse width



Parameter	Symbol	Min.	Typ.	Max	Unit	Conditions
HSYNC Pulse Width	pHSW	15	115/16		CLKs	NTSC (24.5454MHz)
		15	139			PAL (29.50MHz)

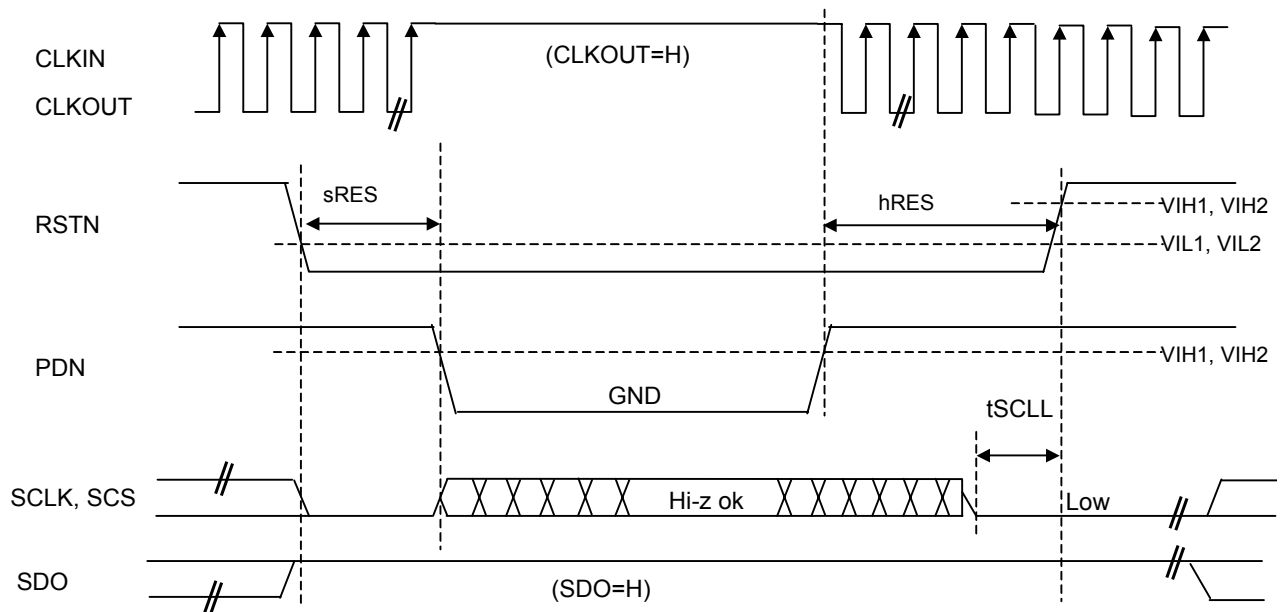
* typical values are calculated by converting the HSYNC pulse width of Analog Video specification into number of system clock pulses.



Parameter	Symbol	Min.	Typ.	Max	Unit
RSTN Pulse Width	pRES	100			SYSCLK

(4-2) Power Down Sequence / Reset Sequence

Before PDN setting (PDN to low), Reset must be enabled for a duration of longer-than-100 clock time.
 After PDN release (PDN to high), Reset must be enabled for 10 mS or longer till analog part reference voltage & current are stabilized.

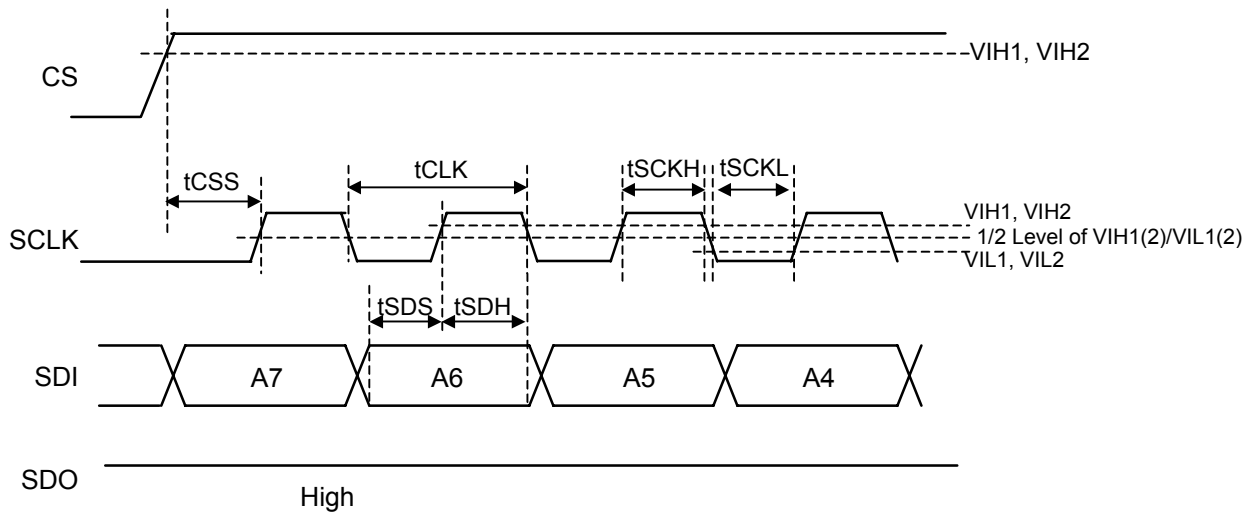


Parameter	Symbol	Min.	Typ.	Max	Unit
RSTN Pulse Width	sRES	100			SYSCLK
Time <u>from</u> PDN to high <u>to</u> RSTN to high	hRES	10			msec
SCL low duration before RSTN to rise	tSCLL	50			nsec

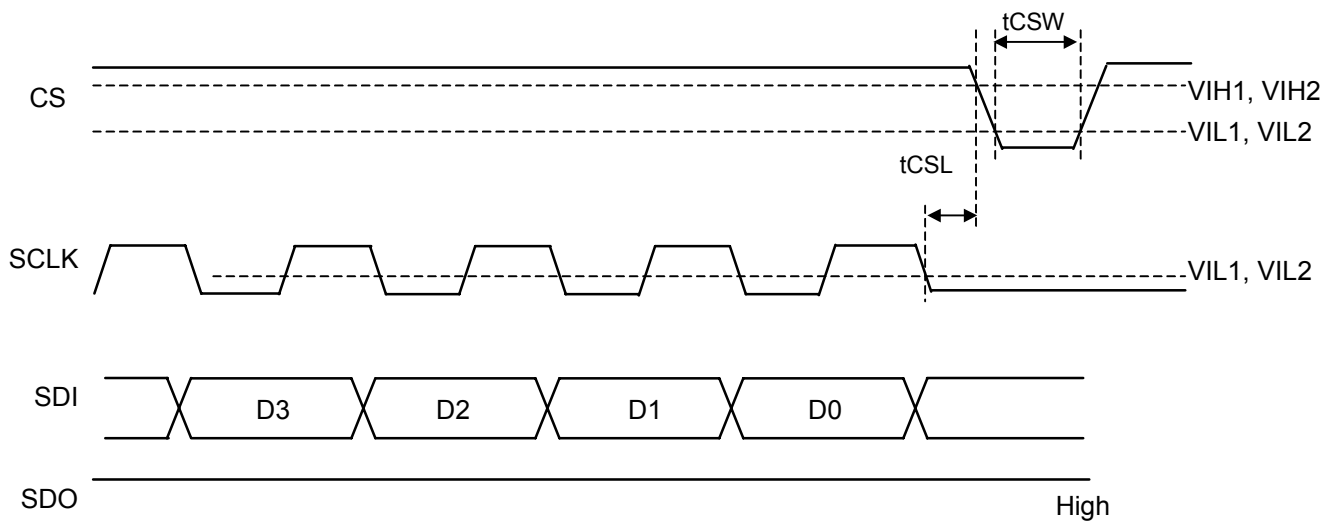
at power-down, all control signals must surely be set to either power supply or ground level of the selected power supply, and not to ViH / ViL levels.

(5) Serial I / F Timing waveform

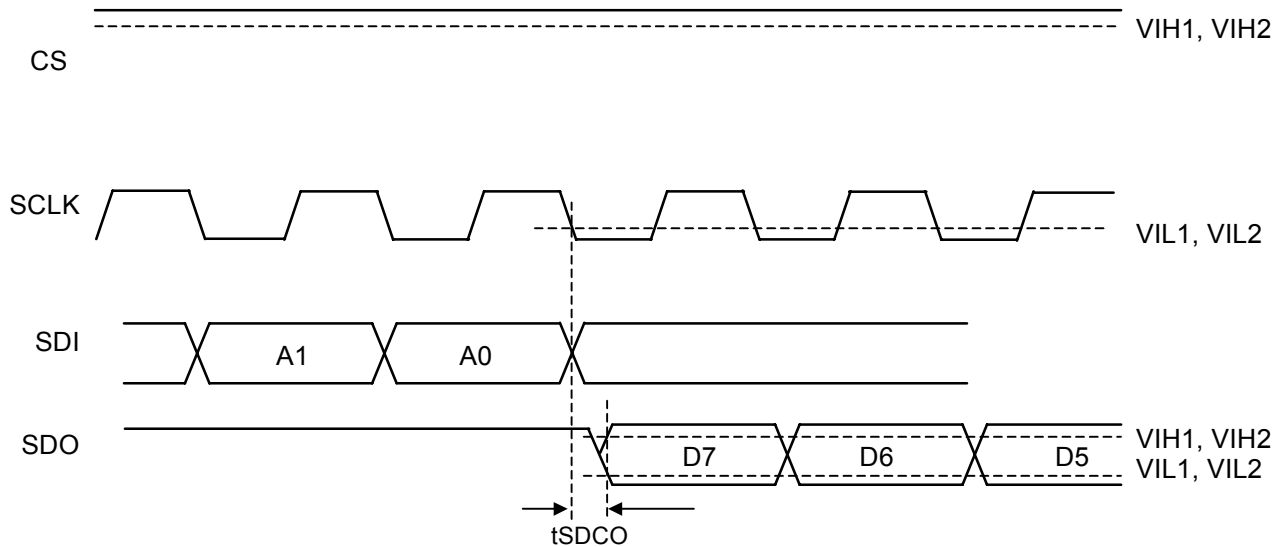
(5-1) Write / Read data input timing



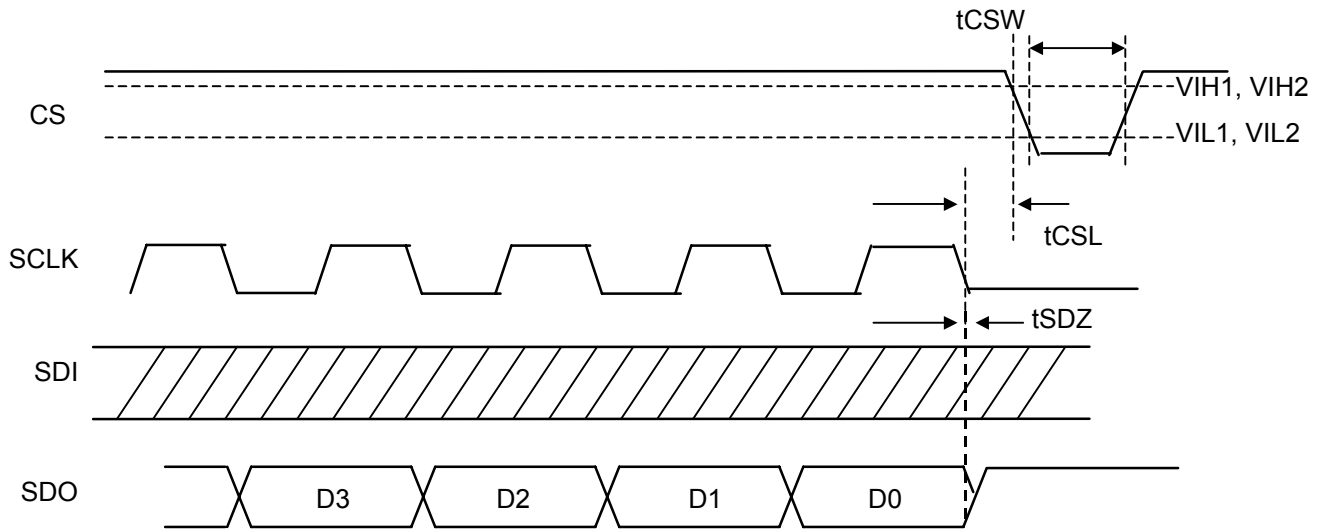
(5-2) Write data input timing



(5-3) Read data output timing



(5-4) Read data output timing 2



Parameter	Symbol	Min	Typ	Max	Unit
Time <u>from</u> CS to high <u>to</u> SCLK to high	tCSS	20			nsec
SCLK Frequency	tCLK			15	MHz
SCLK "high" duration	tSCKH	26			nsec
SCLK "low" duration	tSCKL	26			nsec
Data set-up time	tSDS	15			nsec
Data hold time	tSDH	10			nsec
Time <u>from</u> 15/16 th SCLK to low <u>to</u> CS to low	tCSL	20			nsec
CS "low" duration	tCSW	60			nsec
SDO output delay time	tSDCO			20	nsec
SDO output hold time	tSDH	0			nsec

When to execute sequential write/read to/from register, CS must be kept to low once

FUNCTIONAL OUTLINE

(1) Reset

(1-1) Reset of Serial Interface part (asynchronous reset)

Reset is made by setting RSTN pin to low.

(1-2) Reset of other than Serial Interface blocks

Reset is made by keeping RSTN pin low for a longer than 100 clock time, in normal operation.

(1-3) at Power-On-Reset (including power-down release case)

Follow the power-on-reset sequence.

At the completion of each initialization, all internal registers are set to default values (refer to Register Map).

Right after the reset, Video output of the AK8815/16 is put into Hi-Z condition.

(2) Power-Down

It is possible to put the device into power-down mode by setting the AK8815/16 power-down pin to GND.

Transition to power-down mode should be followed by the power-down sequence. As for the recover from the power-down mode, it should be followed by the power-down release sequence.

(3) Master Clock

As a master clock of the AK8815/16, either a crystal resonator or a crystal oscillator can be used. Either of the operation mode (a crystal resonator or a crystal oscillator) is selected by CLKMD pin.

Crystal resonator mode : CLKMD DVSS

Crystal oscillator mode : CLKMD XVDD

When a crystal resonator is used, connect a resonator between XTI pin and XTO pin.

An oscillating frequency to be used differs in NTSC encoding operation and in PAL encoding operation.

A clock frequency to be used is as follows :

in NTSC encoding operation : 24.5454 MHz

in PAL encoding operation : 29.50 MHz

When a crystal oscillator is used, connect it to XTI pin.

When CLKINV = L, same rising clock as CLKOUT rise is used as an internal encoder clock, but

when CLKINV = H,

internal encoder is operated by using an inverted clock.

Even when CLKINV is altered, clock phase of CLKOUT is not changed.

(4) Video Signal Interface

Video input signal (data) is processed in slave operation mode which is synchronized with HSYNC / VSYNC.

When CLKINV = DVSS, external input is latched at the rising edge of clock

(5) Pixel Data

Input data to the AK8815/16 is YCbCr (4:2:2).

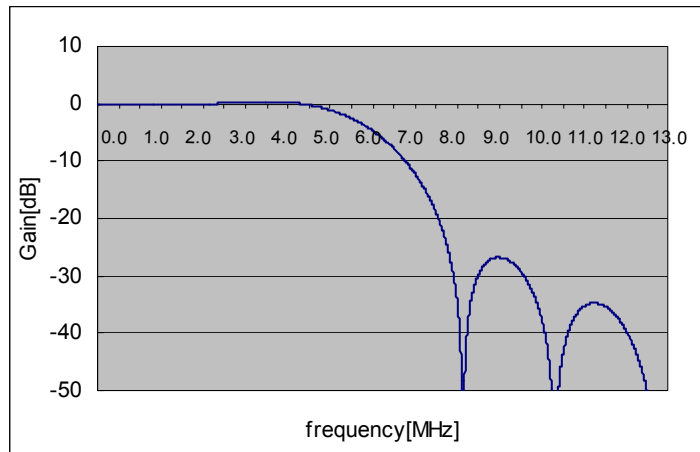
Data with Y : 15/16 ~ 235 and CbCr : 15/16 ~ 240 should be input.

(6) Video Signal Conversion

Video Re-Composition module converts the multiplexed data (ITU-R BT.601 Level Y, Cb, Cr) into interlaced NTSC-M and PAL-B, D, G, H, I data. Video encoding setting is done by " Mode Register ".

(7) Luminance Signal Filter (Luma Filter)

Luminance signal is output via LPF (see x2 Luma Filter in the block diagram).



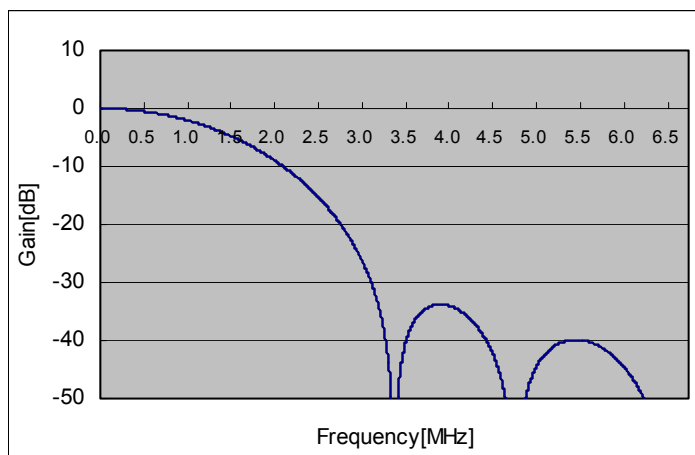
(8) Chroma Signal Filter (Chroma Filter)

Chroma input signal components (Cb, Cr) prior to the modulation go through a 1.3 MHz Band Limiting Filter (see 4:2:2 to 4:4:4 x2 interpolator in the block diagram).

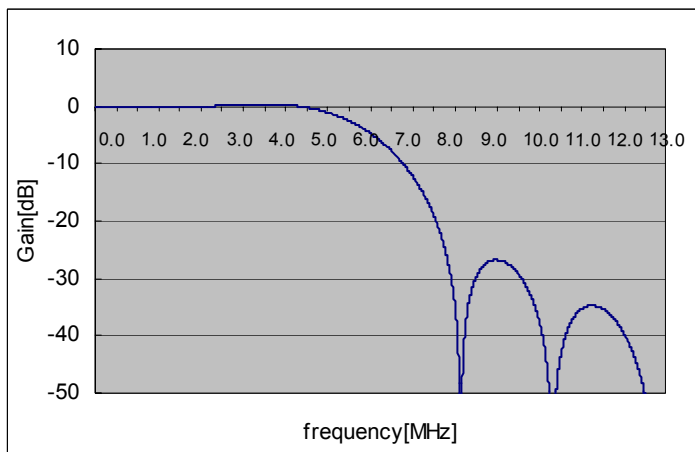
Chroma signal which is modulated by the sub-carrier is output via a low pass filter (Chroma LPF in the block diagram).

Frequency response of each filter is shown below.

4:2:2 to 4:4:4 Interpolator Filter



x 2 Interpolator Filter



(9) Color Burst Signal

Burst signal is generated by a 32 bit digital frequency synthesizer.
Color Burst Frequency is selected by mode setting of NTSC / PAL.

Standard	Subcarrier Freq (MHz)	Video Process 1 VMOD-bit
NTSC-M	3.57954545	0
PAL-B,D,G,H,I	4.43361875	1

Burst Signal Table

(10) Video DAC

The AK8815/16 has a 9 Bit resolution, current-drive DAC as a video DAC which runs at 29.5 / 24.5454 MHz clock frequency.

This DAC is designed to output 1.28 V o-p at full scale under the following conditions –
loading resistance of 390 ohms, VREF at 1.23 V and IREF pin resistor of 12 Kohms.

Here IREF pin resistor means a resistor connected between [IREF] pin and ground. DAC output voltage can be adjusted by adjusting IREF pin resistor.

[VREF] pin should be connected to ground via a 0.1 uF or larger capacitor.

DAC output can be turned “ON” or “OFF” by register setting and current consumption can be lowered.

When the output is turned off, it is put into high impedance condition.

On-chip VREF circuit is kept active and only the DAC output is turned off then.

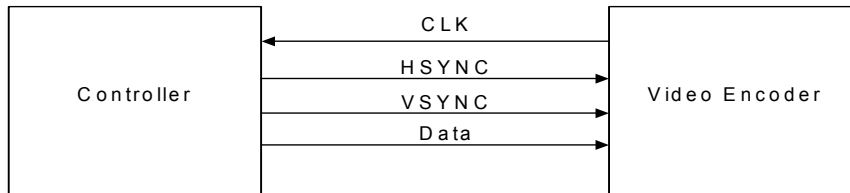
ASAHI KASEI
[AK8815/16]
(11) Video Data Interface timing
(1-1) Video interface

The AK8815/16 operates in slave mode which is synchronized with the HSYNC / VSYNC sync signals.

A system operational outline is as follows –

Operation clock of the controller device which feeds data to the video encoder is fed from the video encoder. And such timing signals as HSYNC and VSYNC of the controller are generated by the same clock timing.

The AK8815/16 synchronizes its operation with the generated HSYNC and VSYNC signals.



In normal operation, the AK8815/16 checks HSYNC and VSYNC changes at each CLK edge (CLK synchronized).

A Pixel when HSYNC is identified to get low is recognized to be H0 (zero), and the 236th data (NTSC) or the 310th data (PAL) is taken as Cb0 square pixel data.

Video field is recognized by VSYNC relation over HSYNC.

Field recognition is made as follows :

The AK8815/16 distinguishes at every Field if it is Odd Field (1st Field) or not. Even Field Sync signal is not usually input.

1) When VSYNC timing pulse signal fed to the AK8815/16 becomes low from high while HSYNC input signal is at low, this Field is interpreted as Odd Field.

The Horizontal line where Odd Field identification is made, functions as Line 4 in NTSC mode and Line 1 in PAL mode (even when both VSYNC and HSYNC are identified to get low simultaneously, it is processed as Odd Field. But it is recommended to input those signals with more than a few clock margin).

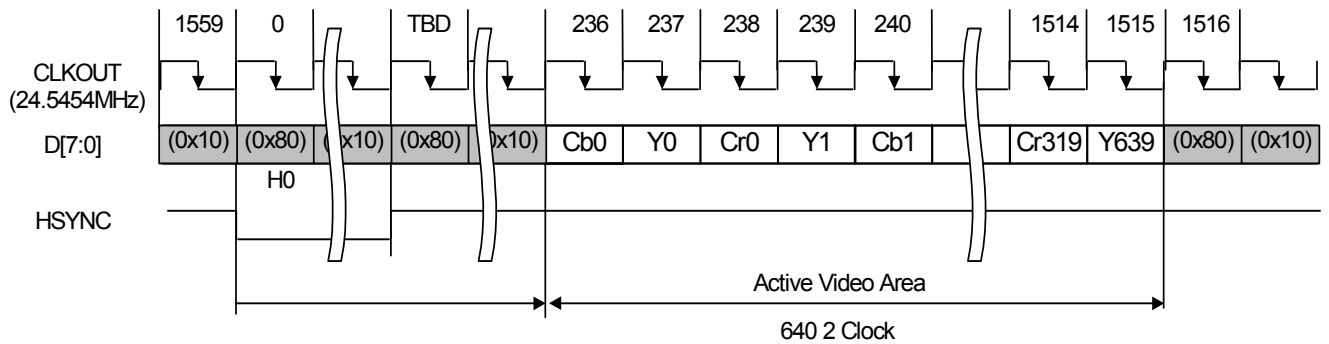
2) The AK8815/16 continues operation in self-running mode , based on the sync signals which are fed just before, if Horizontal / Vertical Sync signals are not fed every time in such timing and pulse count as expected in the Video Standard Specifications.

But it is recommended to input those sync signals in the specified timing every time in order to prevent erroneous operation.

3) All other VSYNC than those identified to be Odd Field are processed as Even Field.

But a use of VSYNC pulse other than in ODD Field synchronization is not assumed for normal operation.

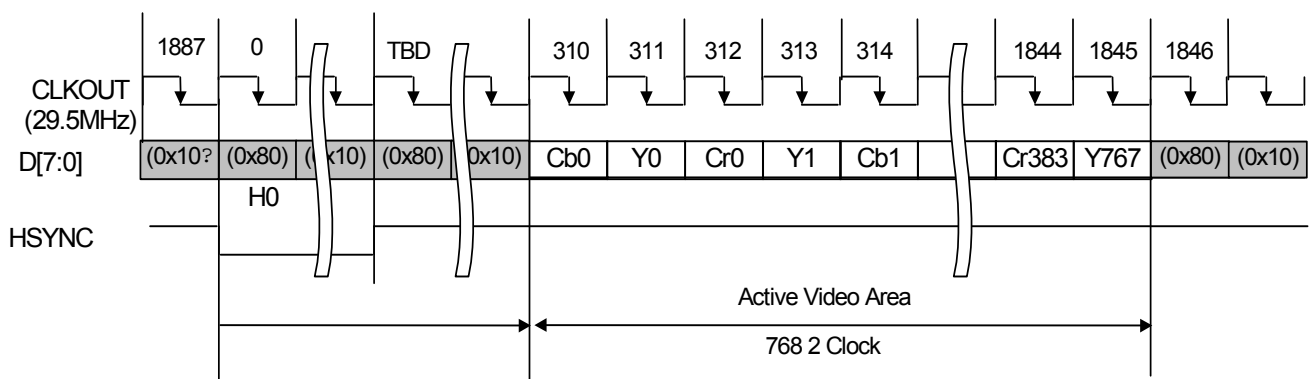
ASAHI KASEI
 [AK8815/16]
 (1 - 2) Pixel Data in each line
 (1) NTSC



*) when D [7:0], HSYNC and CLKOUT are in same phase relation as a timing example above, the AK8815/16 takes input data at the falling edge of each CLKOUT if CLKINV = H.

*) as an input data other than during active video period, Black level (C / Y = 0x80 / 0x10) or other than 0x00 / 0xFF codes in non Hi-Z state should be input.

(2) PAL

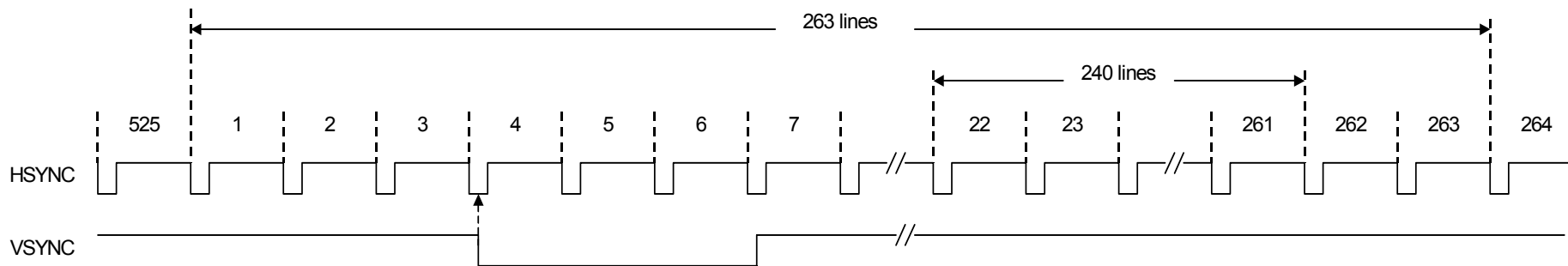


*) when D [7:0], HSYNC and CLKOUT are in same phase relation as a timing example above, the AK8815/16 takes input data at the falling edge of each CLKOUT if INV = H.

*) as an input data other than during active video period, Black level (C / Y = 0x80 / 0x10) or other than 0x00 / 0xFF codes in non Hi-Z state should be input.

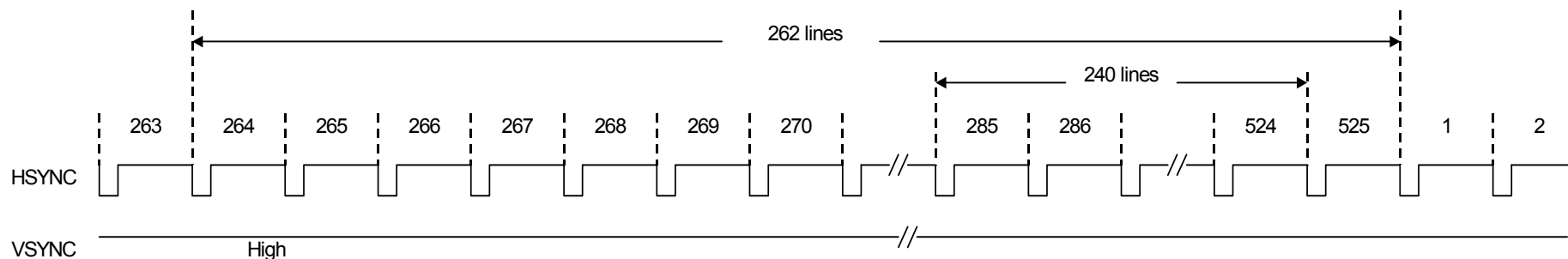
(1-3) HSYNC and VSYNC relation in each Frame
 (1) NTSC (Frame) 525 Line 480 active lines

The First Field (ODD)



*) VSYNC negative-going occurs during HSYNC = L at Line 4.
 VSYNC positive-going can occur at arbitrary location, but keep VSYNC low for 3 line duration time as a rough idea.

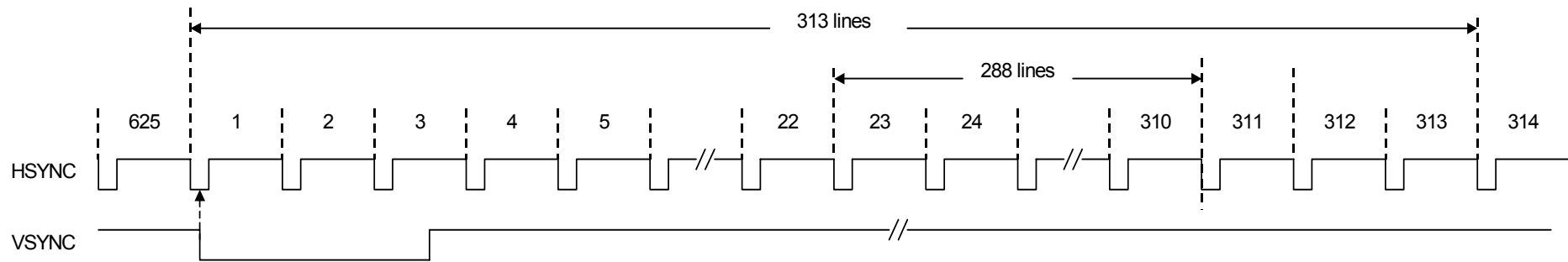
The Second Field (EVEN)



*) VSYNC negative-going is not required for the Second Field. It is required for the First Field only.

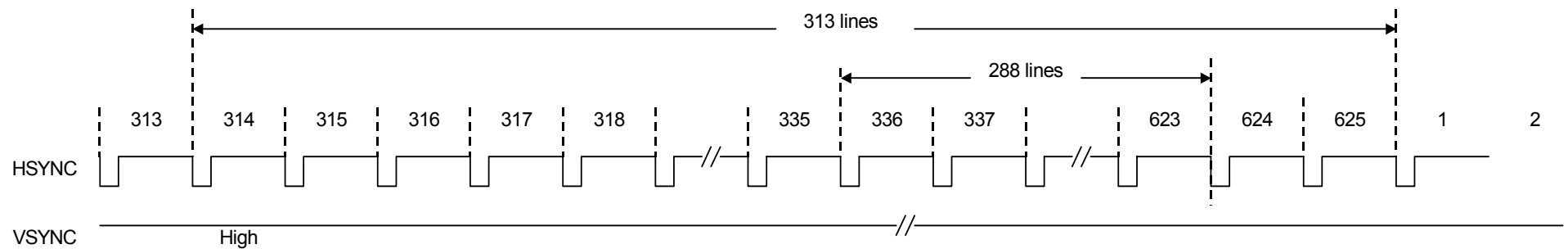
When VSYNC is input in the specified timing (described below) at the Second Field, the line and the field are set once as the Second Field. But since the Burst cycle etc. is referenced to the First Field, VSYNC synchronization cannot be made with the Second Field only. System synchronization must be made to reference the VSYNC synchronization at the First Field. When to input VSYNC at the Second Field, it should be done after the first 1/2 H of the 266th Line and before the falling edge of the 267th HSYNC (if HSYNC falling edge timing of the 266th Line is counted as the 0th clock, VSYNC should be fallen after the 780th Clock and before the 1559th Clock).

(2) PAL (Frame) 625 Line 576 active lines
 The First Field (ODD)



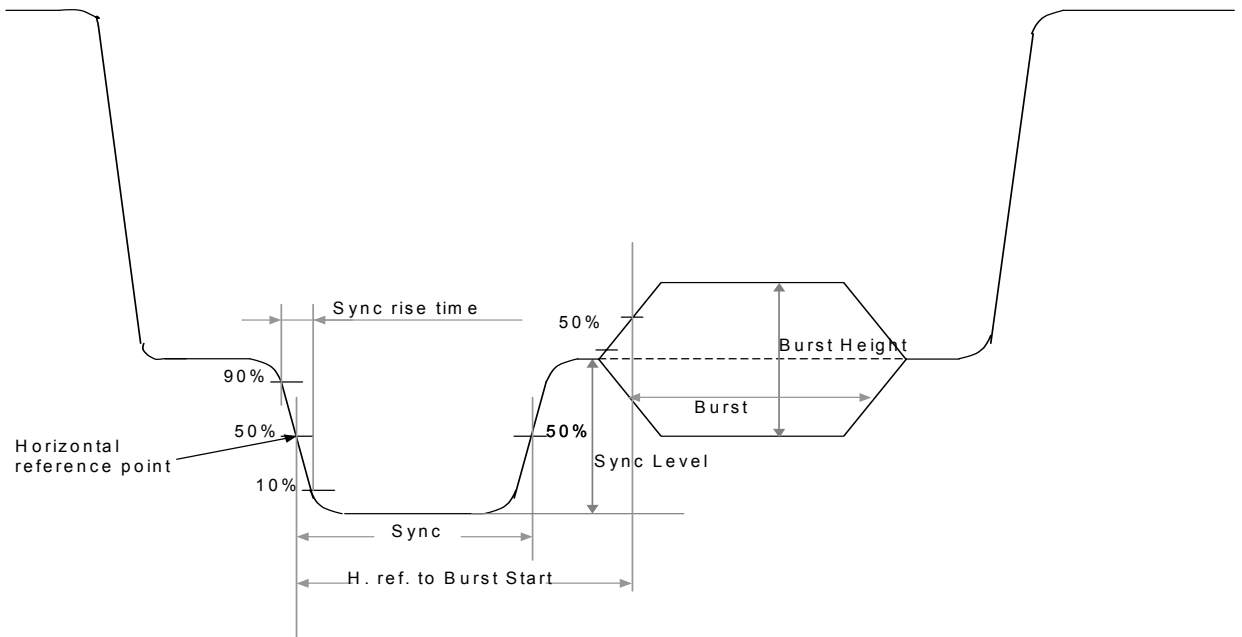
*) VSYNC negative-going occurs during HSYNC = L at Line 1.
 VSYNC positive-going can occur at arbitrary location, but as a rough idea, keep VSYNC low for 2.5, or 2 or 3 line duration time.

The Second Field (EVEN)



*) VSYNC negative-going is not required for the Second Field. It is required for the First Field only.

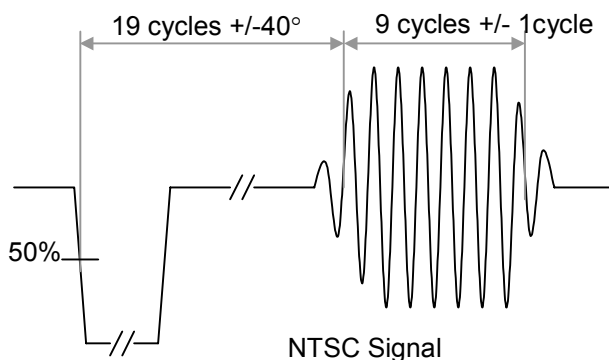
When VSYNC is input in the specified timing (described below) at the Second Field, the line and the field are set once as the Second Field. But since the Burst cycle etc. is referenced to the First Field, VSYNC synchronization cannot be made at the Second Field only. System synchronization must be made to reference the VSYNC synchronization at the First Field. When to input VSYNC at the Second Field, it should be done after the first 1/2 H of the 313th Line and before the falling edge of the 314th HSYNC (if HSYNC falling edge timing of the 313th line is counted as the 0th clock, VSYNC should be fallen after the 944th clock and before the 1887th clock).

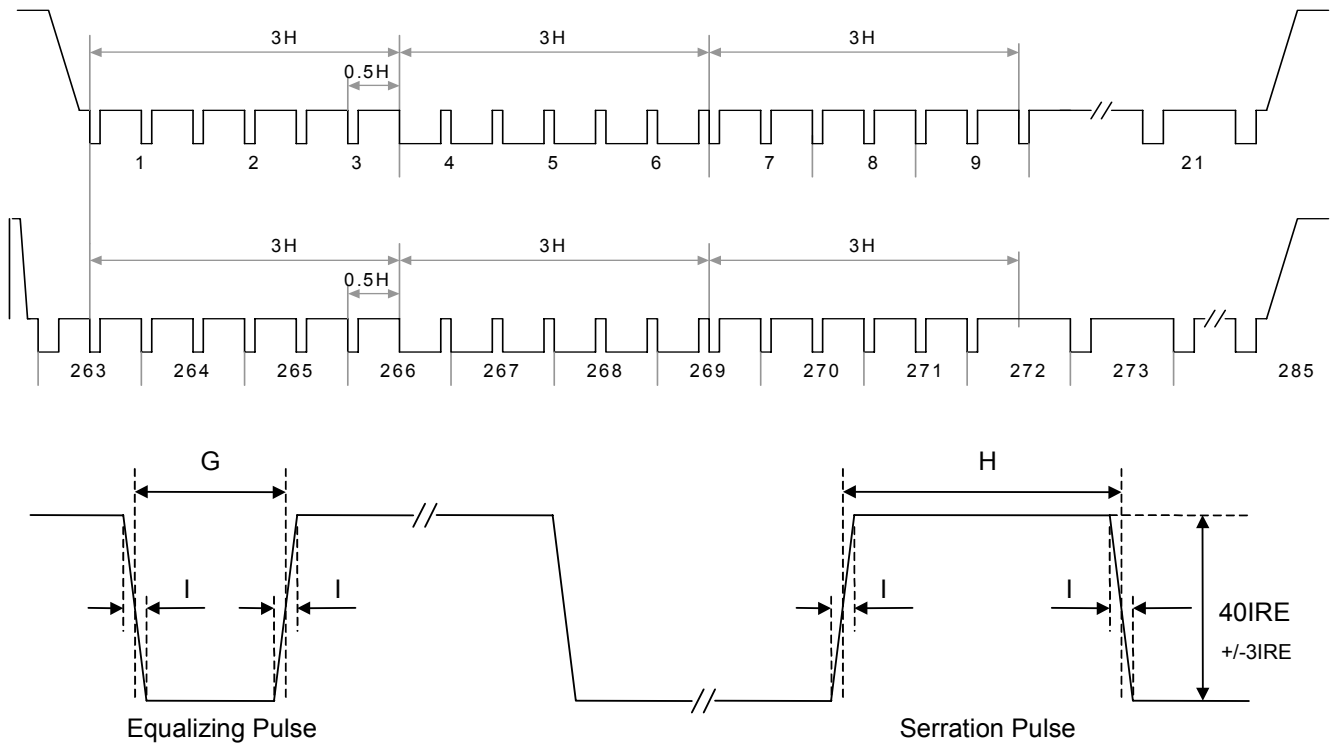


	measurement point	value	Consumer Quality tolerance	units
Total line period(derived)		63.556		usec
Sync Level		40	+/- 3	IRE
Sync rise time	10% - 90%	140	Max 250	nsec
Horizontal Sync width	50%	4.7	+/- 0.1	usec
Horizontal reference point to burst start	50%	19	defined by SC/H	cycles
Burst *	50%	9	+/- 1	cycles
Burst Height **		40	+/- 3	IRE

* there is a case where tolerance of Sync rise time is added to Sync width tolerance.

* Measurement of Burst time length is made between the Burst start point which is defined as the zero-cross point, preceding the first half-cycle of the sub-carrier where Burst amplitude becomes higher than 50 % level and the Burst end point, defined in the same manner.

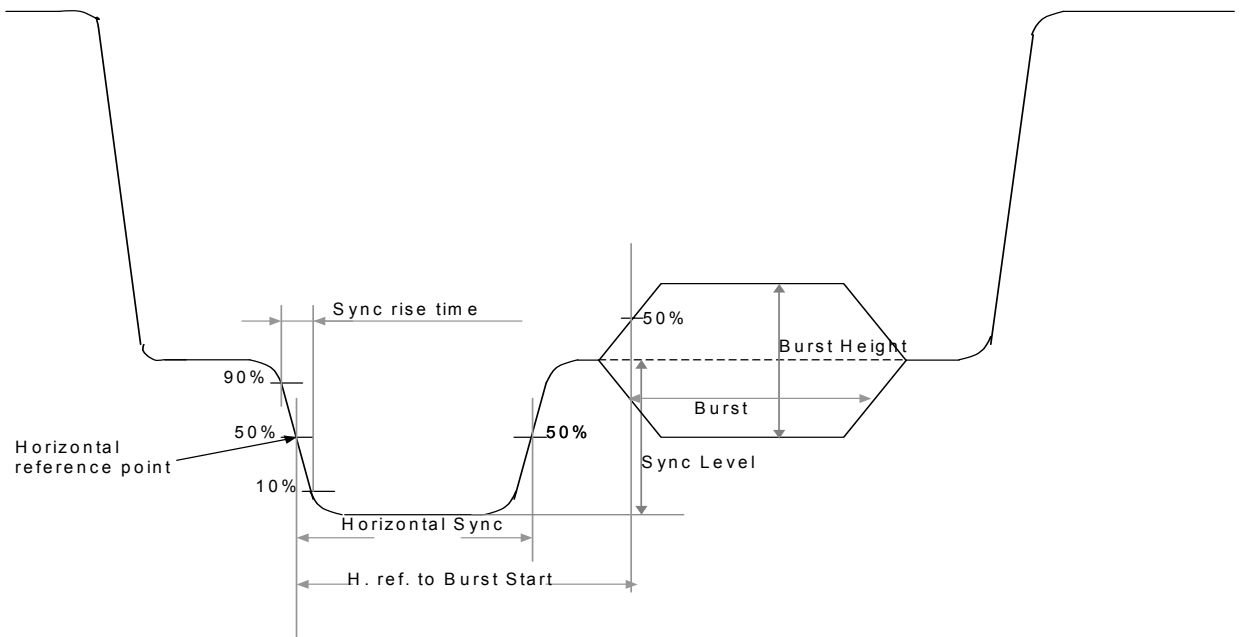




Equalizing Pulse and Serration Pulse

Symbol		Measurement point	Value	Recommended tolerance	units
G	Pre-equalizing pulse width	50%	2.3	+/- 0.1	usec
H	Vertical serration pulse width	50%	4.7	+/- 0.2	usec
G	Post-equalizing pulse width	50%	2.3	+/- 0.1	usec
I	Sync rise time		140	Max 250	nsec

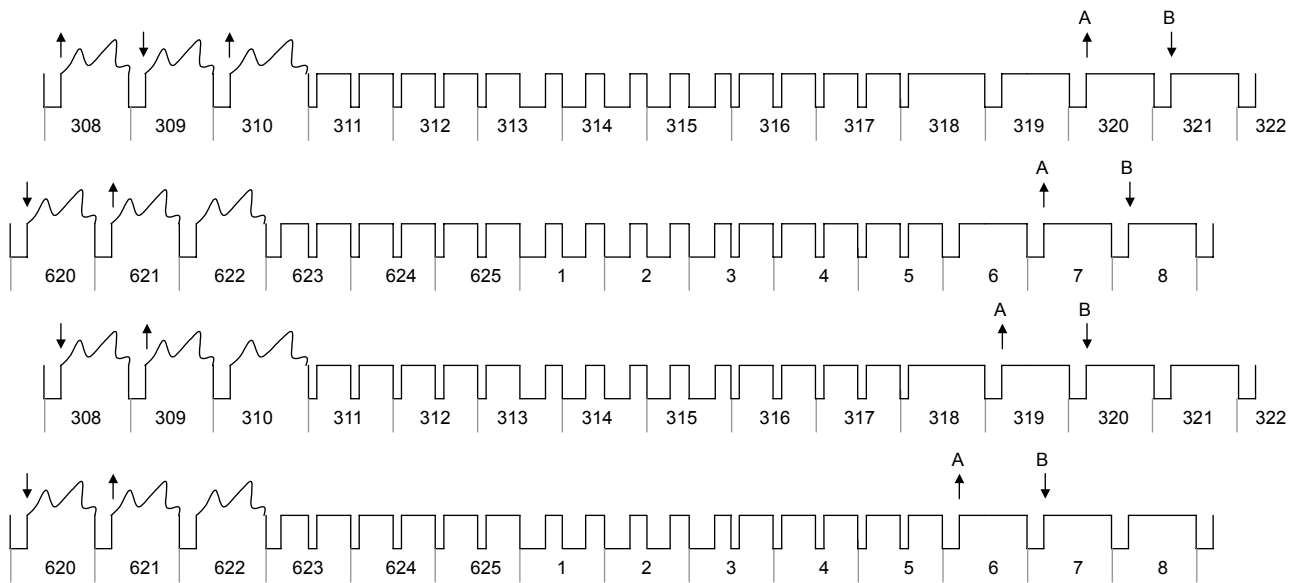
* there is a case where tolerance of Sync rise time is added to Pulse width tolerance.



	measurement point	value	Consumer Quality tolerance	units
Total line period(derived)		64.0		usec
Sync Level		300	+/- 20	mV
Sync rise time	10% - 90%	0.2	Max 0.3	usec
Horizontal Sync width	50%	4.7	+/- 0.2	usec
Horizontal reference point to burst start	50%	5.6	+/- 0.1	usec
Burst *	50%	10	+/- 1	cycles
Burst Height **		300	+/- 30	mV

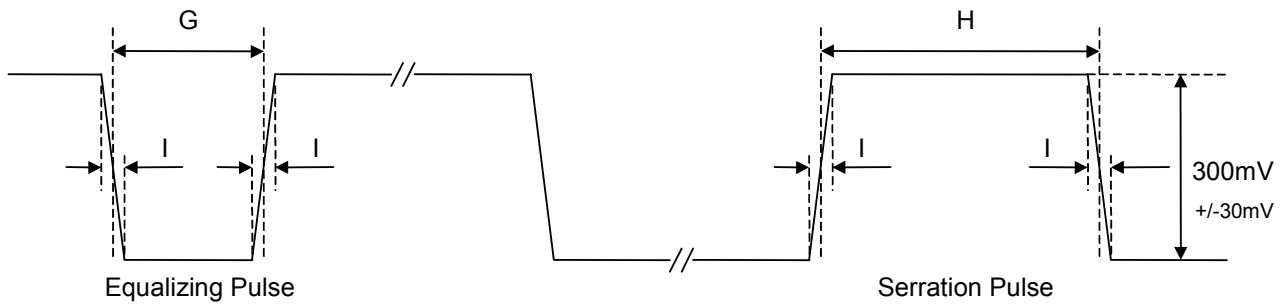
* there is case where tolerance of Sync rise time is added to Sync width tolerance.

PAL-B,D,G,H,I



A : Phase of Burst : nominal Value + 135°
 B : Phase of Burst : nominal Value - 135°

Since Burst frequency and Line frequency are not practically in integer-multiple relation, specified phase value is not exactly 135 degrees.
 Diagram below shows phase direction.



Equalizing Pulse and Serration Pulse

Symbol		Measurement point	Value	Recommended tolerance	units
G	Pre-equalizing pulse width	50%	2.35	+/- 0.1	usec
H	Vertical serration pulse width	50%	4.7	+/- 0.2	usec
G	Post-equalizing pulse width	50%	2.35	+/- 0.1	usec
I	Sync rise time		200	Max 300	nsec

* there is a case where tolerance of Sync rise time is added to Pulse width tolerance.

ASAHI KASEI

[AK8815/16]

(12) On-chip Color Bar

The AK8815/16 can output Color Bar signal.

Color Bar signal to be generated has 100 % amplitude and 100 % Saturation levels.

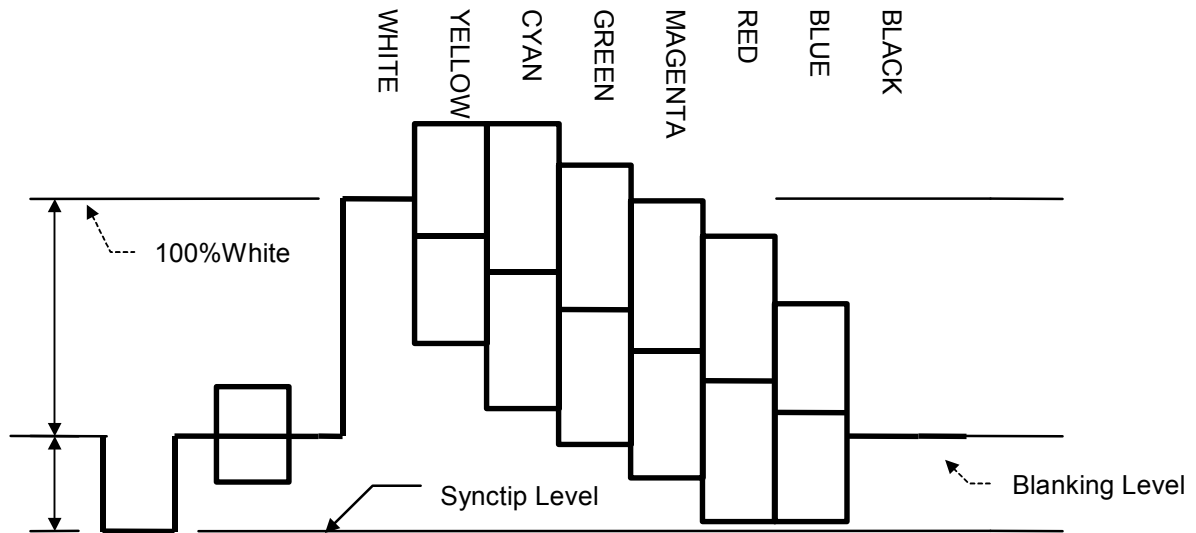
Color Bar signal is output by setting register.

When to output Color Bar signal, there are 2 modes of operation – one is external Sync timing mode for normal operation, and the other is internal self-operation mode.

In internal self-operating mode, required timing is internally generated automatically. Namely, it is no need to input synchronization timing from outside of the chip.

Operation mode setting is done by Mode Register.

When BBG-bit is set, BBG-bit is prioritized (Black Burst is output).



The following values are code for ITU-R. BT601

	WHITE	YELLOW	CYAN	GREEN	MAGENTA A	RED	BLUE	BLACK
Cb	128	15/16	15/166	54	202	90	240	128
Y	235	210	170	145	106	81	41	15/16
Cr	128	146	15/16	34	222	240	110	128

(13) Black Burst Signal generation function

The AK8815/16 can output Black Burst signal (Black level output).

When to output Black Burst signal, there are 2 modes of operation – one is external Sync timing mode for normal operation , and the other is internal self-operation mode.

In internal self-operation mode, required timing is internally generated automatically. Namely, it is no need to input synchronization timing from outside of the chip.

When BBG-bit of [Mode Register] is set to "1", same operation is processed as in the case where fixed-15/16 Y signal and fixed-128 Pb / Pr signal outputs are input.

Operation mode setting is done by Mode Register setting.

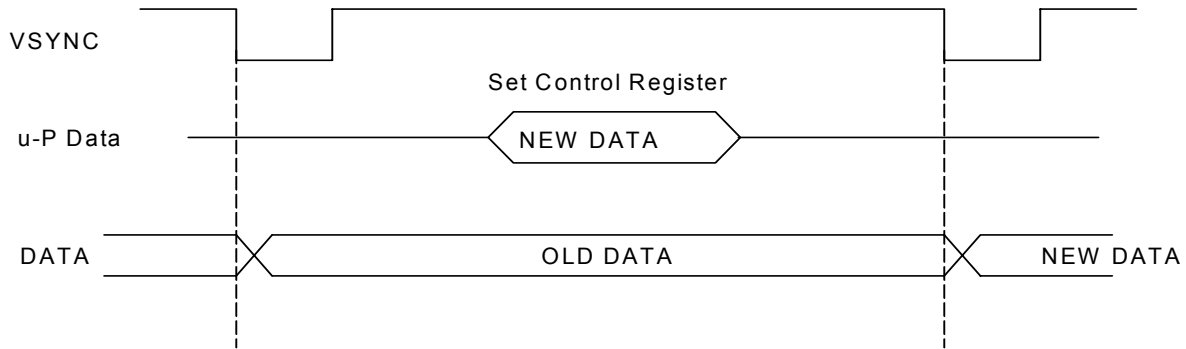
ASAHI KASEI
 [AK8815/16]
 (14) Video ID

The AK8815/16 supports to encode the Video ID (EIAJ CPR-1204) which distinguishes the aspect ratio etc.. This is also used as CGMS (Copy Generation Management System).

Turning "ON/OFF" of this function is made by setting both VMOD-bit = 0 and VBID-bit = 1 of { Mode Register (0x00) }. And data to be set is written into { VBID / WSS Data1 & 2 Registers (0x01,0x02)}.

Video ID information is the highest order of priority information among VBI information (when simultaneous outputs occur with Macrovision signaling, only the VBI information is super-imposed on this line).

VBID Data Update timing .



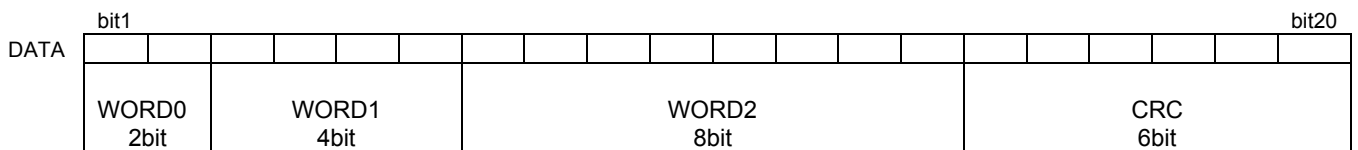
VBID Code assignment

20 bit data is configured with WORD0 = 2 bit, WORD1 = 4 bit, WORD2 = 8 bit and CRC = 6 bit.

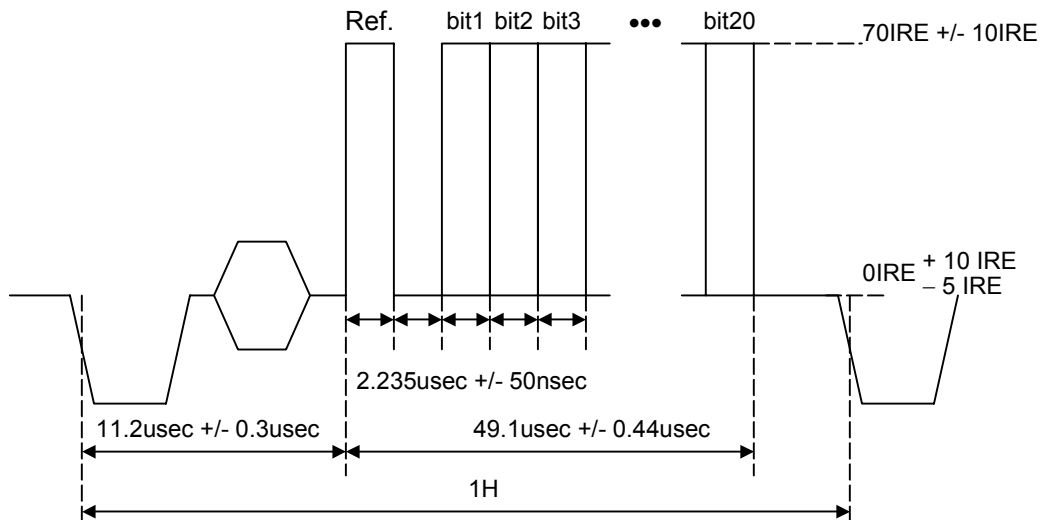
CRC is automatically calculated and added by the AK8815/16.

Default values of CRC polynomial expression $X^6 + X + 1$ are all ones.

-data configuration



VBID Waveform



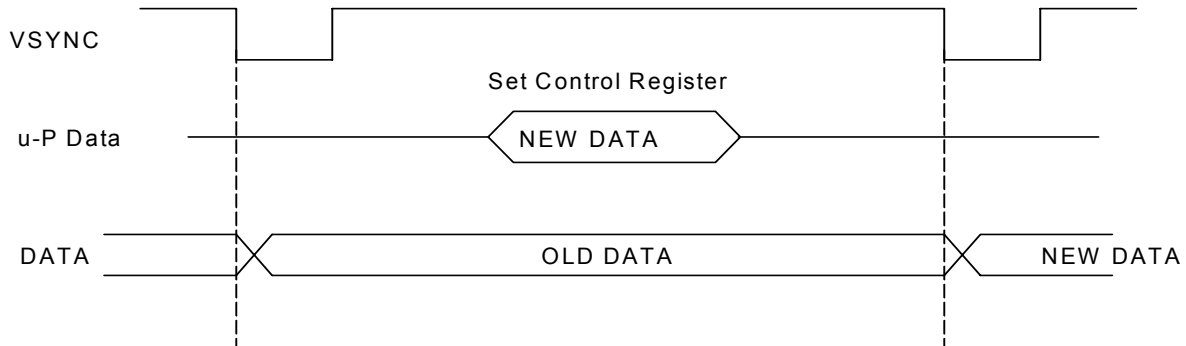
	525/60 System
Amplitude	70IRE
Encode Line	20/283

ASAHI KASEI
 [AK8815/16]
 (15) WSS function

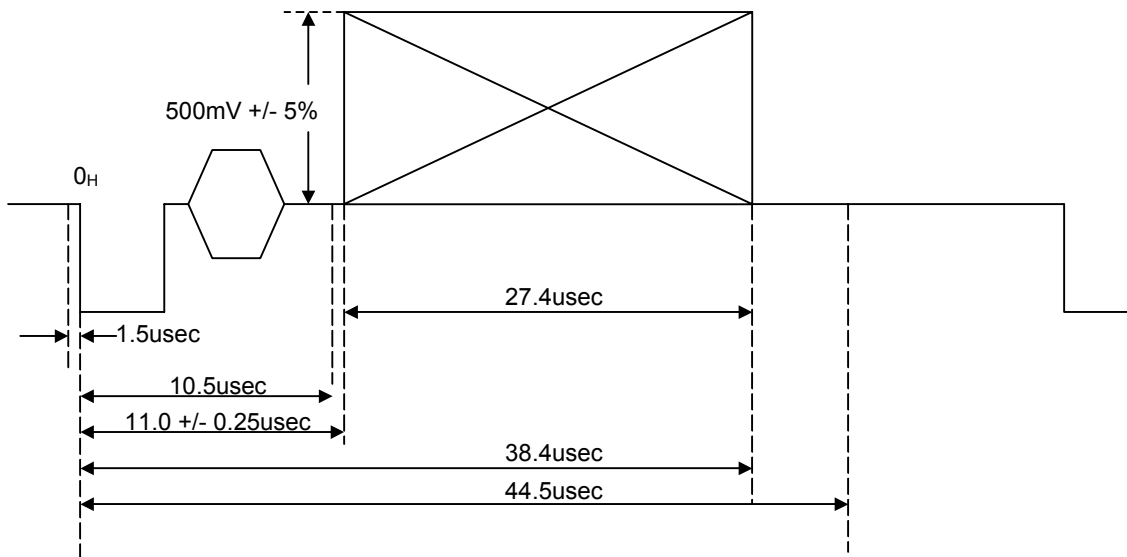
The AK8815/16 supports to encode the WSS (ITU-R. BT.1119) which distinguishes the aspect ratio and sets CGMS-A etc..

Turning "ON/OFF" of this function is made by setting both VMOD-bit = 1 and WSS-bit = 1 of { Mode Register (0x00) }. And data to be set is written into { VBID / WSS Data1 & 2 Registers (0x01, 0x02)}.

WSS Data Update timing



WSS Waveform



Encode line : former half of Line 23 (Blank output during latter half)

Coding : Bi-phase modulation coding

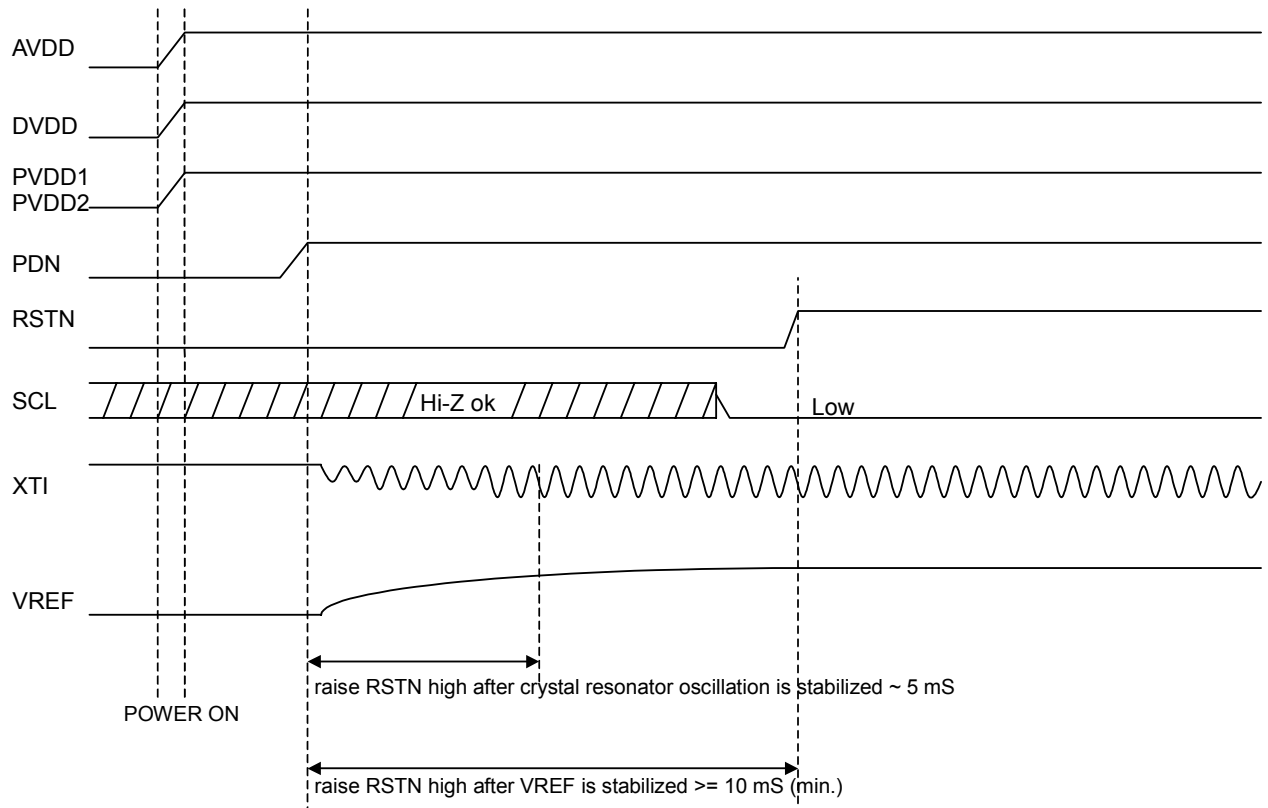
Clock : 5 MHz (Ts = 200 nS)

Encoding details as follows

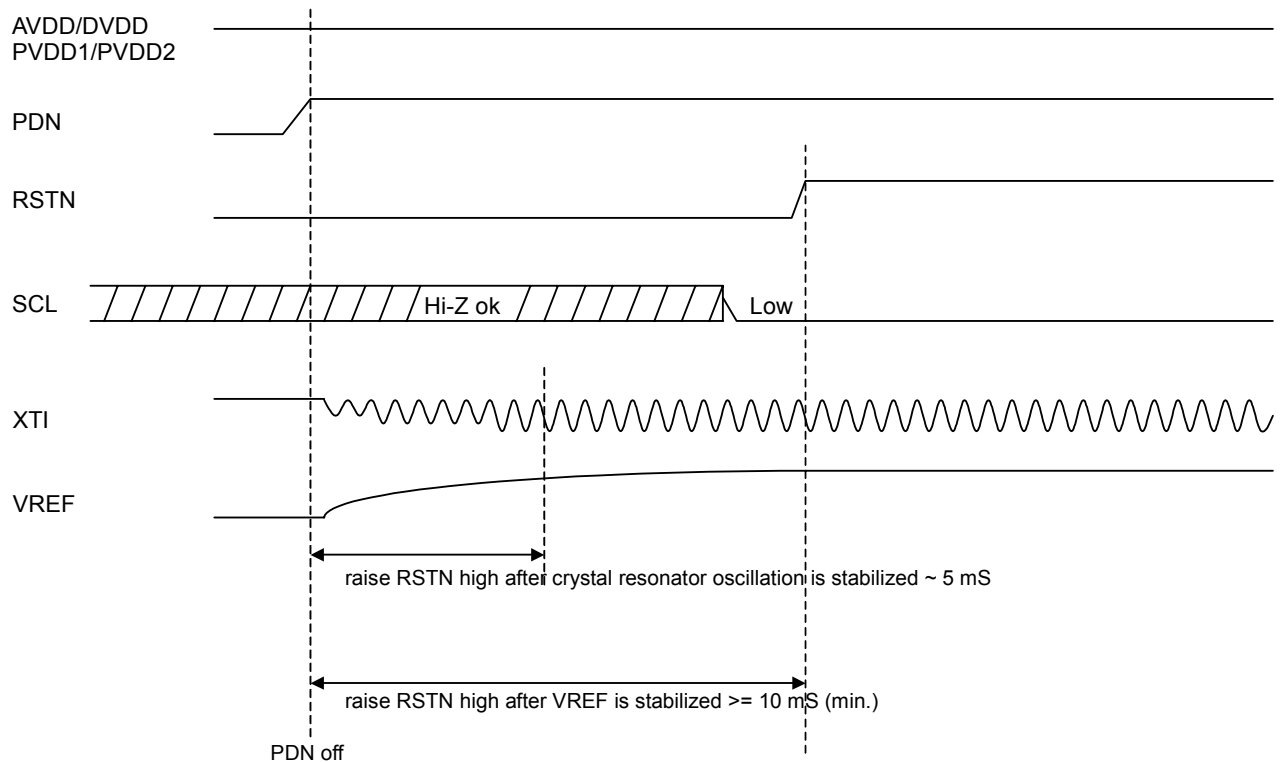
Run-in	Start code	Group 1 Aspect ratio	Group 2 Enhanced Services	Group 3 Subtitles	Group4 Reserved
29 elements	24 elements	24 elements	24 elements	18 elements	18 elements
		Bit numbering 0 1 2 3 LSB MSB	Bit numbering 4 5 6 7 LSB MSB	Bit numbering 8 9 10 LSB MSB	Bit numbering 11 12 13 LSB MSB
		0 : 000111 1 : 111000	0 : 000111 1 : 111000	0 : 000111 1 : 111000	0 : 000111 1 : 111000
0x1F1C71C7	0x1E3C1F				

POWER UP SEQUENCE

Power-Up Sequence (power supply turn-on sequence)



Power-Down Release sequence



REGISTER MAP

Address	Register	Default	R/W	Function
0x00	Mode Register	0x00	R/W	Mode set Register
0x01	VBID/WSS Data 1 Register	0x00	R/W	VBID data is set, WSS data is set
0x02	VBID/WSS Data 2 Register	0x00	R/W	VBID data is set, WSS data is set
0x03	Device ID and Revision ID Register	0x06	R	Register for Device ID and Revision ID
0x04	Reserved	0x00	R/W	
0x05	Input Control Register	0x00	R/W	input control register for out-of-standard quality input signal
0x06	Reserved	0x0f	R/W	
0x07	Reserved	0xfc	R/W	
0x08	Reserved	0x20	R/W	
0x09	Reserved	0xd0	R/W	
0x0A	Reserved	0x6f	R/W	
0x0B	Reserved	0x0f	R/W	
0x0C	Reserved	0x00	R/W	
0x0D	Reserved	0x00	R/W	
0x0E	Reserved	0x0c	R/W	
0x10	Reserved	0xe3	R/W	
0x11	Reserved	0xf3	R/W	
0x12	Reserved	0x09	R/W	
0x13	Reserved	0xbd	R/W	
0x14	Reserved	0x66	R/W	
0x15	Reserved	0xb5	R/W	
0x15/16	Reserved	0x90	R/W	
0x17	Reserved	0xb2	R/W	
0x18	Reserved	0x7d	R/W	

Mode Register (R/W) [Address 0x00]

Sub Address 0x00

Default Value 0x00

bit 7	bit 6	bit 5	bit 4	bit 3	bit 2	bit 1	bit 0
DAC	BBG	CBG	MAS	WSS	VBID	SCR	VMOD
Default Value							
0	0	0	0	0	0	0	0

SYS1_REG Definition

BIT	Register Name		R/W	Definition
bit 0	VMOD	Video Mode bit	R/W	0: NTSC 1: PAL
bit 1	SCR	Sub-Carrier Reset bit	R/W	0: Sub-Carrier Reset off 1: Sub-Carrier Reset
bit 2	VBID	VBID Set Register	R/W	0: VBID OFF 1: VBID ON
bit 3	WSS	WSS Set Register	R/W	0: WSS OFF 1: WSS ON
bit 4	MASMD	Master Mode bit	R/W	Master Mode bit to set Sync mode when Color Bar signal and Black Burst signal are generated 0 : operation by an external Sync timing 1 : operation by an internal self-operating mode (master mode)
bit 5	CBG	Color Bar Generator bit	R/W	0: OFF 1: ON when BBG is set, BBG is prioritized.
bit 6	BBG	Black Burst Generator bit	R/W	0: OFF 1: ON
bit 7	DAC	DAC Set bit	R/W	0: DAC OFF 1: DAC ON

VBID/WSS 1 Register (R/W) [Address 0x01]

VBID/WSS 2 Register (R/W) [Address 0x02]

Video ID and WSS data setting are made. A common data register is used for both video ID and WSS data. When VBID bit of mode register is set in NTSC mode, data is for VBID data, and when WSS bit of mode register is set in PAL mode, data is for WSS data.

When VBID-bit is “1” and VMOD-bit is “0” in mode register, the following bits are assigned.

Sub Address 0x01 **default Value 0x00**

bit 7	bit 6	bit 5	bit 4	bit 3	bit 2	bit 1	bit 0
VBID7	VBID8	VBID9	VBID10	VBID11	VBID12	VBID13	VBID14
Default Value							
0	0	0	0	0	0	0	0

Sub Address 0x02 **default Value 0x00**

bit 7	bit 6	bit 5	bit 4	bit 3	bit 2	bit 1	bit 0
Reserved	Reserved	VBID1	VBID2	VBID3	VBID4	VBID5	VBID6
Default Value							
0	0	0	0	0	0	0	0

Note) “0” should be written into reserved bits.

VBID1 ---- VBID14 above correspond to the bit 1 ---- bit 14 which are described at { VBID Data Code Assignment } in { (14) Video ID } section.

A 6-bit CRC code from bit 15 ~ bit 20 is automatically added by the AK8815/16.

Data is retained till data is updated to a new one.

Following bits are assigned when WSS-bit is “1” and VMOD-bit is “1” in mode register.

Sub Address 0x01 **default Value 0x00**

bit 7	bit 6	bit 5	bit 4	bit 3	bit 2	bit 1	bit 0
G2-7	G2-6	G2-5	G2-4	G1-3	G1-2	G1-1	G1-0
Default Value							
0	0	0	0	0	0	0	0

Sub Address 0x02 **default Value 0x00**

bit 7	bit 6	bit 5	bit 4	bit 3	bit 2	bit 1	bit 0
Reserved	Reserved	G4-13	G412	G4-11	G3-10	G3-9	G3-8
Default Value							
0	0	0	0	0	0	0	0

Note) WSS data is written with 0x01 first, then 0x02 in this order.

When the 2nd byte (0x02) of WSS data is written, the AK8815/16 interprets that data is updated to a new one and then encodes it to the next video line (Line 23).

Data is retained till data is updated to a new one.

Device ID and Revision ID Register (R) [Address 0x03]

Sub Address 0x03

default Value 0x06

bit 7	bit 6	bit 5	bit 4	bit 3	bit 2	bit 1	bit 0
REV3	REV2	REV1	REV0	DEV3	DEV2	DEV1	DEV0
0	0	0	0	0	1	1	0

Device ID and Revision ID Register Definition

BIT	Register Name		R/W	Definition
bit 0 ~ bit 3	DEV0 ~ DEV2	Device ID bit	R	Device ID bit to indicate Device ID.
bit 4 ~ bit 7	REV0 ~ REV3	Revision ID bit	R	Revision ID bit to indicate Revision ID. Revision ID is updated When a possible software modification is made. It is 0x00.

Reserved Register (R) [Address 0x04]

Sub Address 0x03

default Value 0x00

bit 7	bit 6	bit 5	bit 4	bit 3	bit 2	bit 1	bit 0
Reserved	Reserved	Reserved	Reserved	Reserved	Reserved	Reserved	Reserved
0	0	0	0	0	0	0	0

Device ID and Revision ID Register Definition

BIT	Register Name		R/W	Definition
bit 0 ~ bit 7	Reserved	Reserved bit	R/W	Reserved

Input Control Register (R/W) [Address 0x05]

This is an out-of-standard quality input signal control register.

Sub Address 0x05

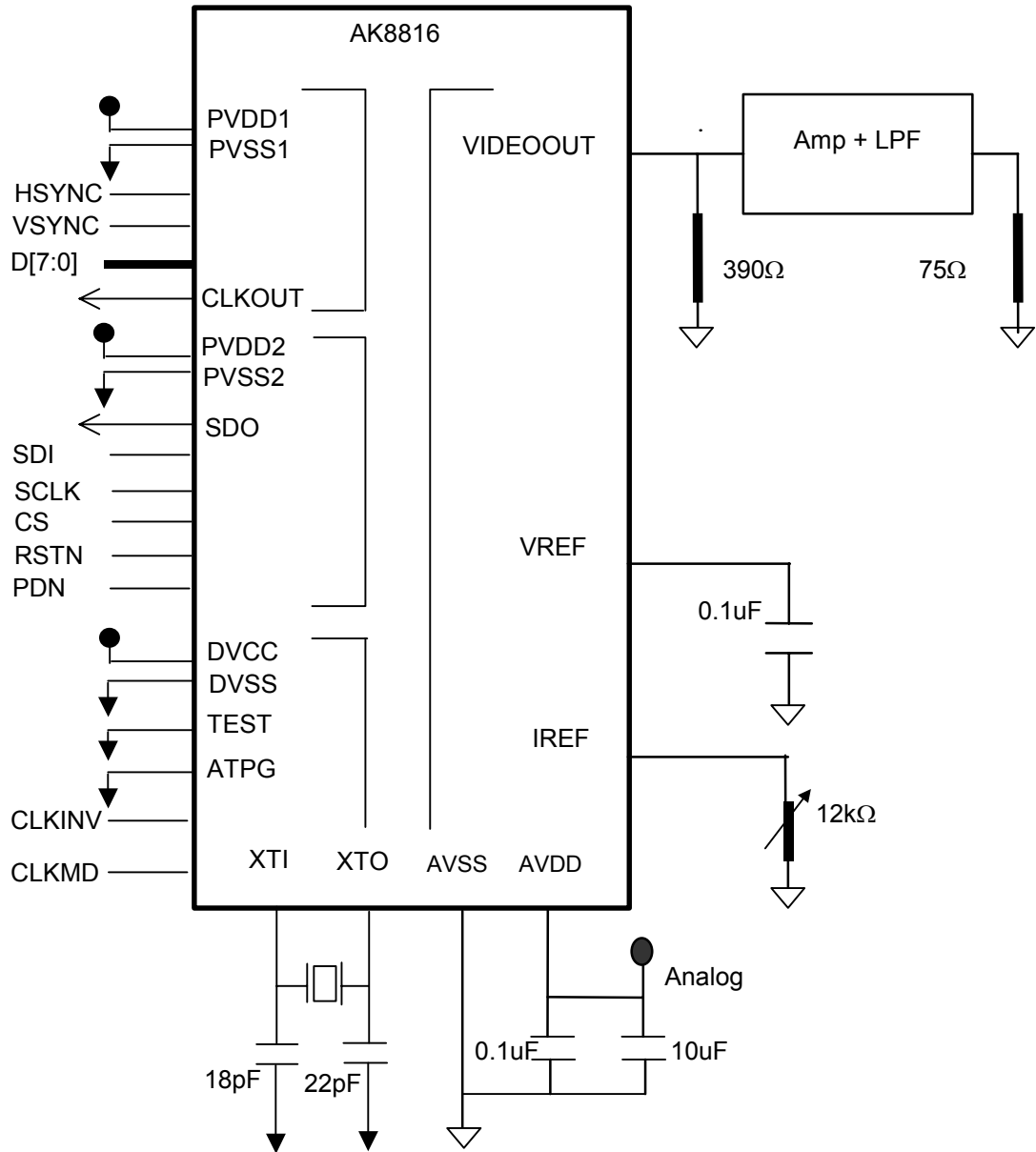
default Value 0x00

bit 7	bit 6	bit 5	bit 4	bit 3	bit 2	bit 1	bit 0
FLT	CBCR	VD2	VD1	VD0	HD2	HD1	HD0
0	0	0	0	0	0	0	0

Adjustment of Sync input timing is made

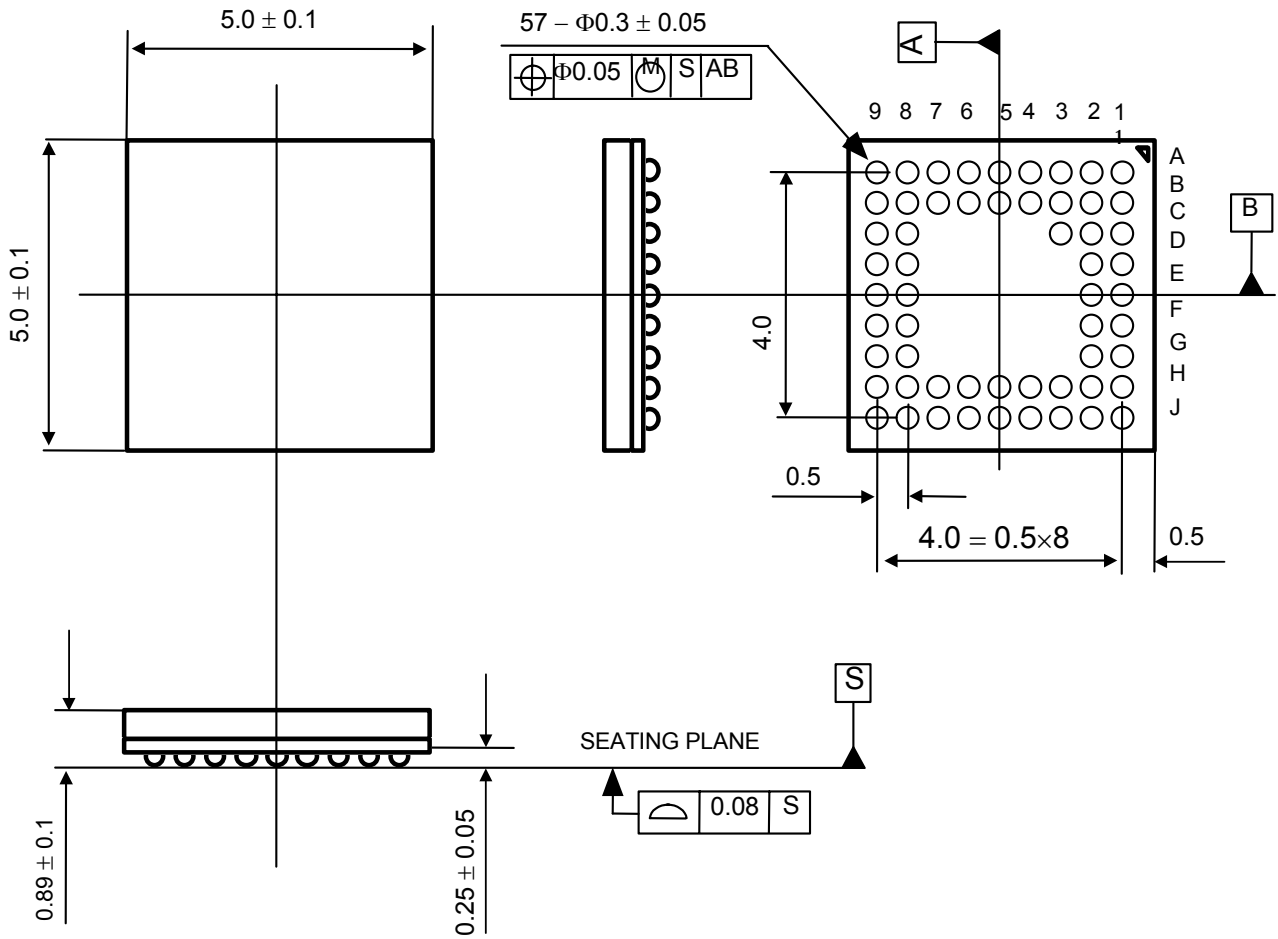
BIT	Register Name		R/W	Definition
bit 0 ~ bit 2	HD0 ~ HD2	HSYNC Input Delay	R/W	HSYNC signal input is delayed by the set value. HD [2:0] system clock count delay (+ 0 ~ + 7 CLK delay)
bit 3 ~ bit 5	VD0 ~ VD2	VSYNC Input Delay	R/W	VD0 ~ VD2 VSYNC Input Delay VSYNC signal input is delayed by the set value. VD [2:0] system clock count delay (+ 0 ~ + 7 CLK delay)
bit 6	CBCR	Exchange CbCr	R/W	Cb, Cr timing data are interchanged at CBCR = 1.
bit 7	FLT	Y Flat Data	R/W	Y input data is linear- interpolated (averaging most adjacent data).

SYSTEM CONNECTION EXAMPLE



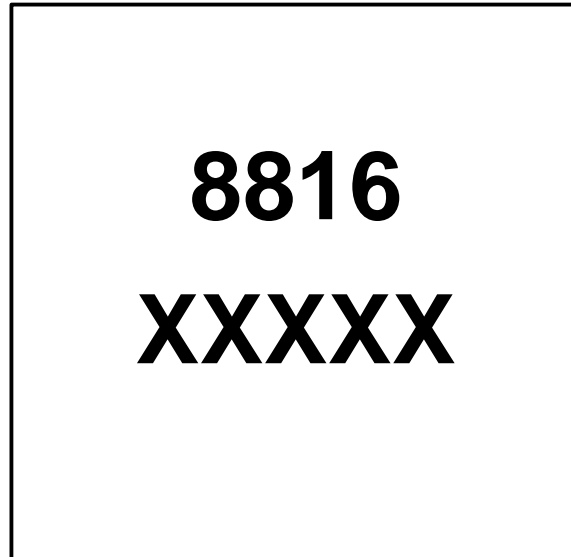
PACKAGE

Package Outline dimension
57 pin FBGA
-package drawing



Package & Lead frame material
Package molding compound: Epoxy
Interposer material: BT resin

MARKING



- a. Package type : BGA
- b. Pin count : 57 pins (1 pin for index)
- c. Product number : 8815
- d. Factory control code : xxxxx (5 digits)

IMPORTANT NOTICE

- These products and their specifications are subject to change without notice. Before considering any use or application, consult the Asahi Kasei Microsystems Co., Ltd. (AKM) sales office or authorized distributor concerning their current status.
- AKM assumes no liability for infringement of any patent, intellectual property, or other right in the application or use of any information contained herein.
- Any export of these products, or devices or systems containing them, may require an export license or other official approval under the law and regulations of the country of export pertaining to customs and tariffs, currency exchange, or strategic materials.
- AKM products are neither intended nor authorized for use as critical components in any safety, life support, or other hazard related device or system, and AKM assumes no responsibility relating to any such use, except with the express written consent of the Representative Director of AKM. As used here:
 - (a) A hazard related device or system is one designed or intended for life support or maintenance of safety or for applications in medicine, aerospace, nuclear energy, or other fields, in which its failure to function or perform may reasonably be expected to result in loss of life or in significant injury or damage to person or property.
 - (b) A critical component is one whose failure to function or perform may reasonably be expected to result, whether directly or indirectly, in the loss of the safety or effectiveness of the device or system containing it, and which must therefore meet very high standards of performance and reliability.
- It is the responsibility of the buyer or distributor of an AKM product who distributes, disposes of, or otherwise places the product with a third party to notify that party in advance of the above content and conditions, and the buyer or distributor agrees to assume any and all responsibility and liability for and hold AKM harmless from any and all claims arising from the use of said product in the absence of such notification.